



Low-pressure ball valve NSKI-D, stainless steel

With female thread

DN 32 - 50 mm PN max. 40 bar

Up to DN 25 please revert to type NBI-D.

Series 06 - female thread on both sides DIN EN ISO 228-1
42 - NPT female thread ANSI/ASME B1.20.1

Face-to-face lengths DIN 3202 – 4 series M3

Temperature range Standard: -10°C to +150°C; DVGW -20°C to +60°C
On request: -50°C to +250°C

Range of use Liquids: Liquids group 1 and 2 according to PED 2014/68/EU Article 13
Gases: Liquids group 1 and 2 according to PED 2014/68/EU Article 13
As a matter of principle, the resistance to the flow medium must be ensured.

Approvals Series 06: DVGW for gas PN 16
TA Luft

Technical specification The NSKI-D type ball valve consists of a forged body with connector screwed in on one or both sides. A stem seal in accordance with the German Technical Instructions on Air Quality Control (TA Luft) is available as standard from nominal width DN 32. Actuators can be attached, from nominal width DN 32, by means of an extension kit. This retrofit requirement is available as standard.

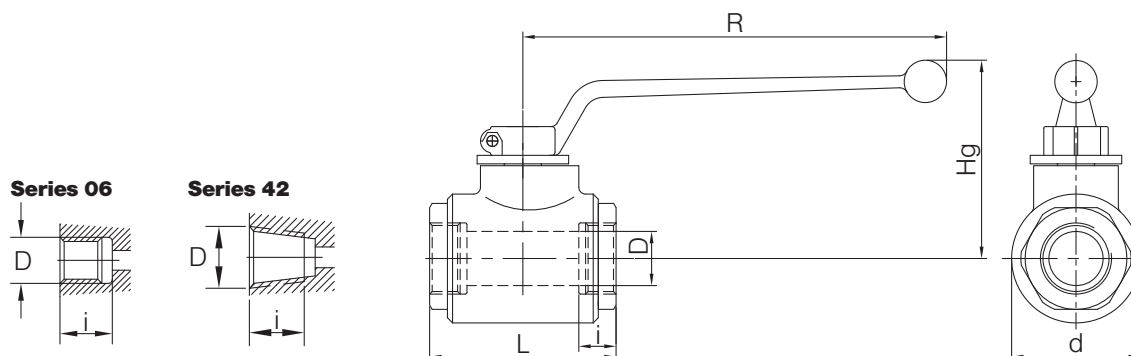
Please ask separately for requirements that exceed the standard conditions of use listed in this data sheet.

As a matter of principle, the safety information provided in the operating and servicing manual must be observed!

The operating and servicing manuals as well as the approval certificates can be downloaded at www.von-scheven.de.

We reserve the right to carry out technical modifications.

Technical data NSKI-D



Series 06 (pipe female thread DIN EN ISO 228-1)

DN mm	PN bar	D	i mm	L mm	d mm	Hg mm	R mm	SW1 mm	Weight kg
32	40	G1 1/4" **	22	110	Ø 76	117	250	17	3.0
40	40	G1 1/2" **	23	120	Ø 90	121	250	17	3.6
50	40	G2" **	26	140	Ø100	128	250	17	5.5

*DVGW: G + Rp

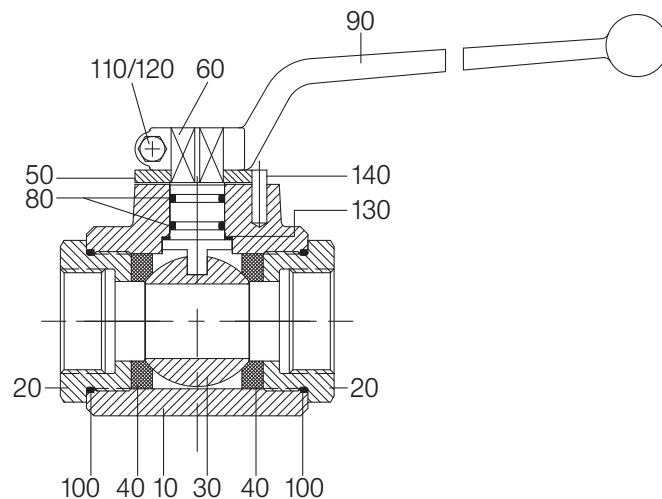
Series 42 (NPT female thread ANSI /ASME B 1.20.1)

DN mm	PN bar	D	i mm	L mm	d mm	Hg mm	R mm	SW1 mm	Weight kg
32	40	NPT1 1/4	22	110	Ø 76	117	250	17	3.0
40	40	NPT1 1/2	23	120	Ø 90	121	250	17	3.6
50	40	NPT 2	26	140	Ø100	128	250	17	5.5

Example of order: Ball valve type NSKI-D made of stainless steel, DN 32 with female thread DIN EN ISO 228-1
NSKI-D 32 06

Parts list NSKI-D

Pos.	Designation	Material*
10	Body	Stainless steel
20	Fitting	Stainless steel
30	Ball	Stainless steel
40	Seal	PTFE
50	Stop washer	Stainless steel
60	Stem	Stainless steel
80	O-ring	NBR, FPM
90	Hand lever	Zinc die-casting
100	O-ring	NBR, FPM
110	Bolt	
120	Nut	
130	Sliding ring	PTFE
140	Stop pin	



*Standard (can vary according to nominal width), other materials on request.
Due to the design, not all items are used for all nominal widths.