



Low-pressure ball valve NSKA-D, stainless steel

With male thread

DN 32 - 40 mm PN 40 bar

Up to DN 25 please revert to type NBA-D.

- Series** 02 – male thread on both sides for non-soldering compression fittings with cutting ring DIN 2353 - light-duty series
 03 – male thread on both sides for non-soldering compression fittings with cutting ring DIN 2353 – heavy-duty series

Face-to-face lengths DIN 3202 – 5 series V1

Temperature range Standard: -10°C to +150°C; DVGW -20°C to +60°C
 On request: -50°C to +250°C

Range of use Liquids: Liquids group 1 and 2 according to PED 2014/68/EU Article 13
 Gases: Liquids group 1 and 2 according to PED 2014/68/EU Article 13
 As a matter of principle, the resistance to the flow medium must be ensured.

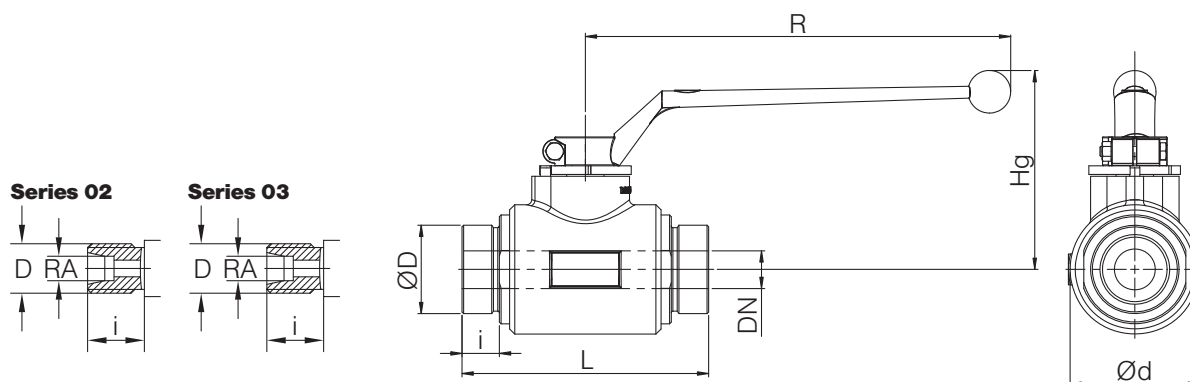
Approvals DVGW for gas
 TÜV-Component mark

Technical specification The NSKA-D type ball valve consists of a forged body with connector screwed in on one or both sides. The stem is blowout-proof. A stem seal in accordance with the German Technical Instructions on Air Quality Control (TA Luft) is available as standard from nominal width DN 32. Actuators can be attached, from nominal width DN 32, by means of an extension kit. This retrofit requirement is available as standard.

Please ask separately for requirements that exceed the standard conditions of use listed in this data sheet.
 As a matter of principle, the safety information provided in the operating and servicing manual must be observed!
 The operating and servicing manuals as well as the approval certificates can be downloaded at www.von-scheven.de.

We reserve the right to carry out technical modifications.

Technical data NSKA-D



Series 02 (for non-soldering compression fittings with cutting ring DIN 2353, light-duty series)

DN mm	RA mm	PN bar	D	i mm	L mm	d mm	Hg mm	R mm	SW1 mm	Weight kg
32	35	40	M 45x2	16	145	Ø76	117	250	17	3.5
40	42	40	M 52x2	16	150	Ø90	121	250	17	4.1

Note! The pressure rating of the pipe unions can deviate from the nominal pressure rating of the ball valve.

Series 03 (for non-soldering compression fittings with cutting ring DIN 2353, heavy-duty series)

DN mm	RA mm	PN bar	D	i mm	L mm	d mm	Hg mm	R mm	SW1 mm	Weight kg
32	38	40	M 52x2	22	145*	Ø76	117	250	17	3.5

*Deviating from the length V1, where necessary request special version in length V1.

Note! The pressure rating of the pipe unions can deviate from the nominal pressure rating of the ball valve.

Example of order: Ball valve type NSKA-D made of stainless steel, DN 32 with male thread for non-soldering compression fittings with cutting ring DIN 2353 – light-duty series

NSKA-D 32 02

Parts list NSKA-D

Pos.	Designation	Material*
10	Body	Stainless steel
20	Fitting	Stainless steel
30	Ball	Stainless steel
40	Seal	PTFE
50	Stop washer	Stainless steel
60	Stem	Stainless steel
80	O-ring	NBR, FPM
90	Hand lever	Zinc die-casting
100	O-ring	NBR, FPM
110	Bolt	
120	Washer	
130	Sliding ring	PTFE
140	Stop pin	Stainless steel

*Standard (can vary according to nominal width), other materials on request.
Due to the design, not all items are used for all nominal widths.

