



# High-pressure ball valve EHK-D, stainless steel

## With female thread

**DN 8 - 20 mm PN max. 2500 bar**

**Series** 07 – female thread on both sides for HP fittings

**Temperature range** Standard: -20°C to +90°C

**Range of use** Liquids: Liquids group 1 and 2 according to PED 2014/68/EU Article 13  
As a matter of principle, the resistance to the flow medium must be ensured.

**Technical specification** The EHK-D type ball valve consists of a round body with connector screwed in on both sides. The stem is fitted blowout-proof. The body and the fittings are provided with vent holes. Actuators can be attached by means of an extension kit. This retrofit requirement must be specified when placing the order (additional charge). The high standard of this high-pressure technology is renowned worldwide due to its reliability, ease of installation and user friendly features.

**Only actuate when depressurized!**

### Options



Lockable



With pneumatic actuator



With pneumatic actuator and limit switch



With inductive limit switches



3-way changeover ball valve

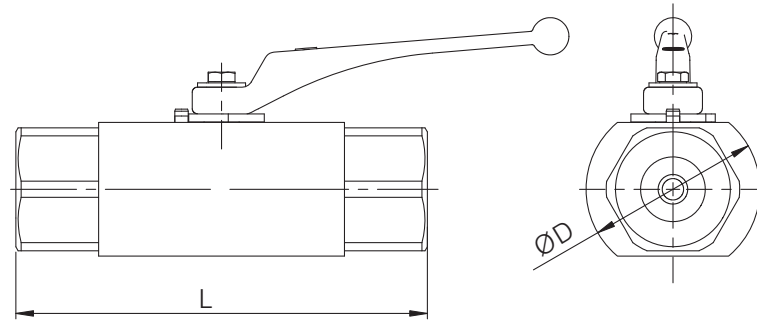
Please ask separately for requirements that exceed the standard conditions of use listed in this data sheet.

As a matter of principle, the safety information provided in the operating and servicing manual must be observed!

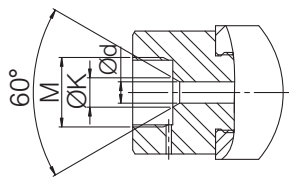
The operating and servicing manuals as well as the approval certificates can be downloaded at [www.von-scheven.de](http://www.von-scheven.de).

We reserve the right to carry out technical modifications.

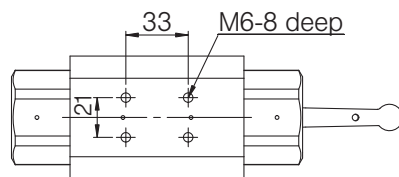
**Technical data EHK-D**



**Series: 07**



**Mounting holes from below**



**Series 07** (female thread on both sides for HP fittings)

DN mm	PN bar	M	K mm	d mm	L mm	D mm	Weight kg
8	2500	M 16x1.5	5	2.5	152	65	2.2
8	2500	M 20x1.5	7	3.0	148	65	2.5
			7	5.0			
8	2500	M 26x1.5	11	5.0	154	65	2.8
			11	8.0			
10	2500	M 30x2	16	10.0	162	65	3.0
14	2500	M 30x2	16	12.0	162	70	3.3
20	1000	G1 1/2"	28	20.0	172	75	4.0

**Example of order:** Ball valve type EHK DN 08 of made stainless steel with female thread M20 x 1.5 and clear span of 5 mm (series 07) **EHK 08 07** with details of the female thread M20 x 1.5 and d=5

**Parts list EHK-D**

Designation	Material*
Body	Stainless steel
Fitting	Stainless steel
Ball	Stainless steel
Seal	PEEK
Stop washer	Stainless steel
Stem	Stainless steel
O-ring	NBR
Hand lever	Zinc die-casting
Supporting ring	POM
O-ring	NBR
Bearing ring	POM
Bolt	
Washer	
Bearing ring	
Stop pin	

\*Standard (can vary according to nominal width), other materials on request.  
Due to the design, not all items are used for all nominal widths.