



Flange ball valve K-KFK-C, steel, compact face-to-face length With DIN flange

DN 10 - 100 mm PN max. 40 bar

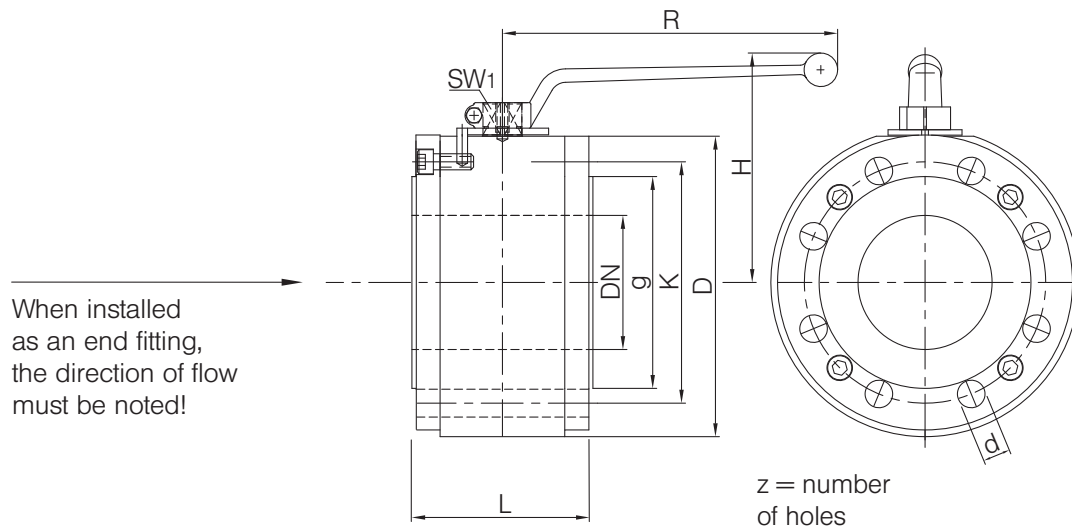
Series 26 – PN 16 according to DIN EN 1092-1
28 – PN 40 according to DIN EN 1092-1

Temperature range Standard: -10°C to +150°C
On request: -50°C to +250°C

Range of use Liquids: Liquids group 1 and 2 according to PED 2014/68/EU Article 13
Gases: Liquids group 1 and 2 according to PED 2014/68/EU Article 13
As a matter of principle, the resistance to the flow medium must be ensured.

Technical specification The K-KFK-C type ball valve consists of a 2-part body with a flange screwed in on one side, or a close-coupled flange. When using the ball valve as an end fitting, the direction of flow must be noted due to the constructional design. Up to nominal width DN 25, the stem is fitted from the outside by means of a fitting. Simple replacement of the stem seal is ensured by the fitting used. A stem seal in accordance with the German Technical Instructions on Air Quality Control (TA Luft) is available as standard from nominal width DN 32 and can be used, on request, up to nominal width DN 25 for an additional charge. Actuators can be attached by means of an extension kit. This retrofit requirement is available as standard.

Technical data K-KFK-C



2-way ball valves
with flange connection

Series 26 (PN 16)

DN mm	PN bar	L mm	D mm	g mm	K mm	z	d mm	R mm	SW1 mm	H mm
10	40	35	90	40	60	4	M12	130	10	77
15	40	35	95	45	65	4	M12	130	10	77
20	40	40	105	58	75	4	M12	160	10	90
25	40	46	115	68	85	4	M12	160	10	108
32	40	58	140	78	100	4	M16	250	17	117
40	40	64	150	88	110	4	M16	250	17	121
50	40	82	165	102	125	4	M16	250	17	128
65	16	103	185	122	145	4	M16	250	17	150
80	16	118	200	138	160	8	M16	370	22	160
100	16	135	220	158	180	8	M16	370	22	172

Series 28 (PN 40)

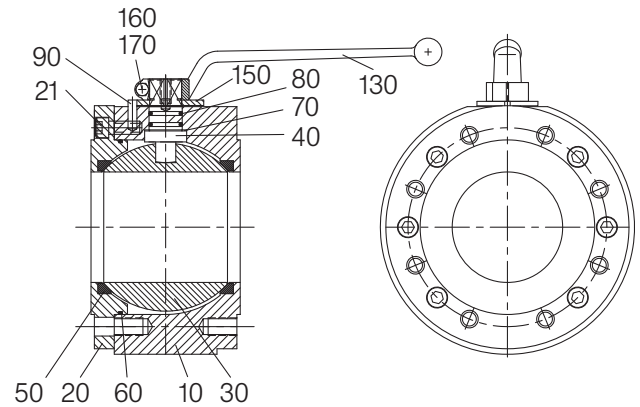
DN mm	PN bar	L mm	D mm	g mm	K mm	z	d mm	R mm	SW1 mm	H mm
10	40	35	90	40	60	4	M12	130	10	77
15	40	35	95	45	65	4	M12	130	10	77
20	40	40	105	58	75	4	M12	160	10	90
25	40	46	115	68	85	4	M12	160	10	108
32	40	58	140	78	100	4	M16	250	17	117
40	40	64	150	88	110	4	M16	250	17	121
50	40	82	165	102	125	4	M16	250	17	128
65	40	103	185	122	145	8	M16	250	17	158
80	40	118	200	138	160	8	M16	370	22	182
100	40	145	235	162	190	8	M20	370	22	194

Example of order: Ball valve type K-KFK-C DN 100 with flange connection PN 16 according to DIN EN 1092-1
K-KFK-C 100 26

Parts list K-KFK-C

Pos.	Designation	Material*
10	Body	Steel
20	Flange	Steel
21	Bolt	
30	Ball	Brass, steel, casting
40	Stem	Brass, steel
50	Seal	PTFE
60	O-ring	NBR, FPM
70	Sliding ring	PTFE
80	O-ring	NBR, FPM
90	Stop pin	
130	Hand lever	Zinc die-casting
150	Stop washer	Steel
160	Bolt	
170	Nut	
	Washer	

*Standard (can vary according to nominal width), other materials on request.
Due to the design, not all items are used for all nominal widths.



Please ask separately, where requirements exceed the standard conditions of use listed in this data sheet.
As a matter of principle, the operating and maintenance instructions, in particular the safety instructions must be observed!
Operating and maintenance instructions as well as the approval certificates can be downloaded at www.von-scheven.de.

We reserve the right to carry out technical modifications.