



Flange ball valve K-KFK-DE, stainless steel, economy series With DIN flange

DN 15 – 200 mm PN max. 40 bar

General regulations BS EN ISO 17292:2004

Temperature range -20°C to +180°C
DVGW: -20°C to +60°C

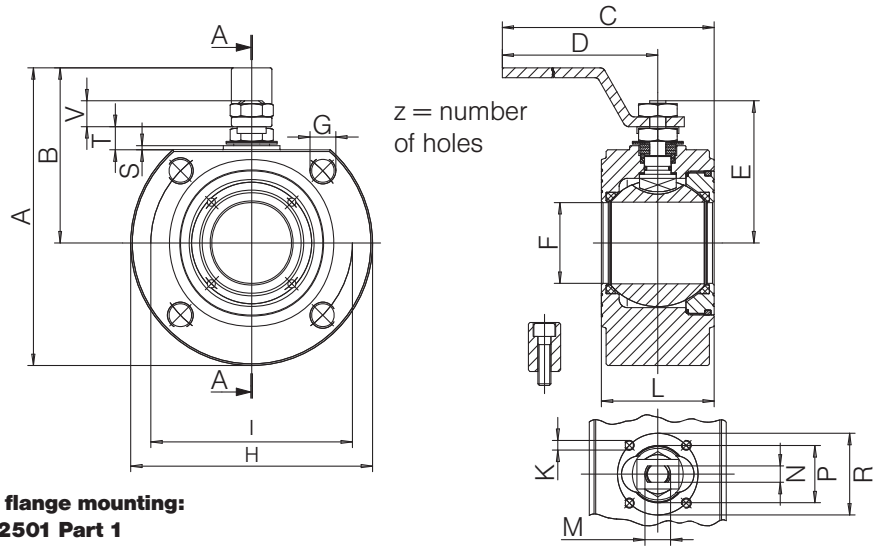
Range of use For use as a shutoff valve (open-closed) for chemical products, foodstuffs, on pipes for gas, air, water supply.
Blowout-proof stem
Antistatic device: from DN 25 (on request from DN 15 - DN 20).
Upper connection: ISO 4211

Please ask separately, where requirements exceed the standard conditions of use listed in this data sheet.

As a matter of principle, the operating and maintenance instructions, in particular the safety instructions must be observed!
Operating and maintenance instructions as well as the approval certificates can be downloaded at www.von-scheven.de.

We reserve the right to carry out technical modifications.

Technical data K-KFK-DE



**Connections suitable for flange mounting:
UNI – EN 1092 and DIN 2501 Part 1**

2-way ball valves
with flange connection

DN	PN	A	B	C	D	E	F	G	H	K	I	L	M	N	P	R	S	T	V	z	Porting pattern ISO	Cv- value	Weight kg
mm	bar	mm	mm	mm	mm	mm	mm	mm	mm	mm	mm	mm	mm	mm	mm	mm	mm	mm	mm				
15	40	110	65.0	160	140	48.0	15	M12	90	M5	65	35	M10	6	25.0	36	2.0	8.0	9.0	4	F03	20	1.345
20	40	120	70.0	160	140	51.0	20	M12	100	M5	75	38	M10	6	25.0	36	2.0	8.0	9.0	4	F03	60	1.810
25	40	137	82.0	200	180	62.5	25	M12	110	M5	85	43	M12	8	30.0	42	2.0	11.5	11.5	4	F04	100	2.505
32	40	150	85.0	205	180	67.0	32	M16	130	M5	100	54	M12	8	30.0	42	2.0	9.5	11.5	4	F04	130	3.995
40	40	172	102.0	260	230	80.0	40	M16	150	M6	110	60	M16	10	35.0	50	2.5	14.0	16.0	4	F05	170	4.190
50	40	185	110.0	265	230	87.0	50	M16	165	M6	125	70	M16	10	35.0	50	2.5	14.0	16.0	4	F05	280	5.790
65	16	225	137.5	400	350	119.5	65	M16	175	M8	145	95	M22	14	49.5	70	3.0	18.7	20.8	4	F07	510	10.200
65	40	225	137.5	400	350	119.5	65	M16	175	M8	145	95	M22	14	49.5	70	3.0	18.7	20.8	8	F07	510	13.200
80	40	245	150.0	410	350	129.5	78	M16	190	M8	160	122	M22	14	49.5	70	3.0	18.7	20.8	8	F07	770	13.700
100	16	275	165.0	580	508	148.5	96	M16	220	M10	180	140	M27	16	70.0	102	3.0	22.2	25.3	8	F10	1200	20.000
100	40	291	173.0	580	508	156.5	96	M20	235	M10	190	140	M27	16	70.0	102	3.0	22.2	-	8	F10	1200	24.000
125	16	309	181.0	455	370	166.5	118	M16	255	M10	210	185	M27	16	70.0	102	3.0	22.2	25.3	8	F10	2000	51.220
150	16	388	241.0	500	395	197.5	144	M20	295	M12	240	235	M42	26	-	125	-	4.0	29.0	8	F12	-	80.960
200	16	458	276.0	829	674	232.5	192	M20	365	M12	295	315	M42	26	-	125	-	4.0	29.0	12	F12	-	177.060