



# Flange ball valve KFB-C/KFB-D, steel/stainless steel, ANSI face-to-face length With ANSI flange

**DN 15 – 200 mm max. Class 1500**

Also available as stainless steel ball valve: KFB-D

**Series** 50 – Flansche according to ANSI/ASME B16.5 Class 150 RF/RTJ  
51 – Flansche according to ANSI/ASME B16.5 Class 300 RF/RTJ  
52 – Flansche according to ANSI/ASME B16.5 Class 600 RF/RTJ  
53 – Flansche according to ANSI/ASME B16.5 Class 900 RF/RTJ  
54 – Flansche according to ANSI/ASME B16.5 Class 1500 RF/RTJ

**Face-to-face lengths** Lengths ANSI B 16.10 – Long series RF/RTJ

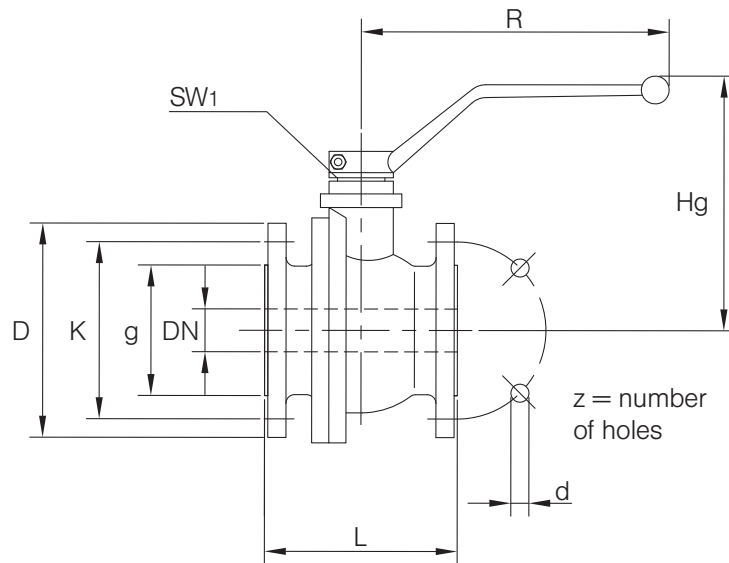
**Temperature range** Standard: -10°C to +90°C  
On request: -50°C to +250°C

**Range of use** Liquids: Liquids group 1 and 2 according to PED 2014/68/EU Article 13  
Gases: Liquids group 1 and 2 according to PED 2014/68/EU Article 13  
As a matter of principle, the resistance to the flow medium must be ensured.

**Approvals** TA Luft up to DN 25 optionally, from DN 32 standard

**Technical specification** Up to DN 80, type KFB-C ball valve consists of a 3-part body with screwed in flanges. From nominal width DN 100, the two body parts are flanged together.  
The stem is blowout-proof and, from nominal width DN 32 is provided with a two-fold O-ring seal.

**Technical data KFB-C/KFB-D**



2-way ball valves  
with flange connection

**Series 50** (flanges according to ANSI B16.5 Class 150 – Raised Face (RF))

DN mm	DN	L RF	L RTJ	D mm	g mm	K mm	b mm	z	d mm	Hg mm	R mm	SW1 mm	Weight kg
15	1/2"	108	108	88.9	34.1	60.5	11.2	4	15.7	69	130	10	2.4
20	3/4"	117	117	98.6	42.9	69.9	12.7	4	15.7	71	130	10	3.3
25	1"	127	140	108.0	50.8	79.2	14.2	4	15.7	82	160	10	4.4
32	1 1/4"	140	153	117.3	63.5	88.9	15.7	4	15.7	117	250	17	6.7
40	1 1/2"	165	178	127.0	73.2	98.6	17.5	4	15.7	121	250	17	8.2
50	2"	178	191	152.4	91.9	120.7	19.0	4	19.1	128	250	17	11.2
65	2 1/2"	190	203	177.8	104.6	139.7	22.4	4	19.1	158	250	17	21.2
80	3"	203	216	190.5	127.0	152.4	23.9	4	19.1	182	370	22	27.3
100	4"	229	242	228.6	157.2	190.5	23.9	8	19.1	194	370	22	36.8
125	5"	325*	267	254.0	185.7	215.9	23.9	8	22.4	195	520	22	51.0
150	6"	394	407	279.4	215.9	241.3	25.4	8	22.4	225	700	27	74.5
200	8"	457	470	342.7	269.7	298.5	28.4	8	22.4	260	700	27	115.0

\*Deviating from the standard face-to-face length ANSI B 16.10 – Long series RF/RTJ; where necessary ask for special face-to-face length.

**Series 51** (flanges according to ANSI B16.5 Class 300 – Raised Face (RF))

DN mm	DN	L RF	L RTJ	D mm	g mm	K mm	b mm	z	d mm	Hg mm	R mm	SW1 mm	Weight kg
15	1/2"	140	151	95.2	35.0	66.5	14.2	4	15.7	69	130	10	2.6
20	3/4"	152	165	117.3	42.9	82.6	15.7	4	19.1	71	130	10	3.5
25	1"	165	178	124.0	50.8	88.9	17.5	4	19.1	105	160	10	4.6
32	1 1/4"	178	191	133.4	63.5	98.6	19.1	4	19.1	117	250	17	6.9
40	1 1/2"	190	203	155.4	73.2	114.3	20.6	4	22.4	121	250	17	8.5
50	2"	216	232	165.1	91.9	127.0	22.4	8	19.1	128	250	17	11.6
65	2 1/2"	241	257	190.5	104.6	149.2	25.4	8	22.4	158	250	17	21.7
80	3"	282	298	209.6	127.0	168.1	30.2	8	22.4	182	380	22	28.0
100	4"	305	321	254.0	157.2	200.2	31.8	8	22.4	194	370	22	37.9
125	5"	381	397	279.4	185.7	235.0	35.1	8	22.4	195	520	22	52.0
150	6"	403	419	317.5	215.9	269.7	36.6	12	22.4	225	700	27	76.0
200	8"	502	518	381.0	269.7	330.2	41.1	12	25.4	260	700	27	117.0

**Series 52** (flanges according to ANSI B16.5 Class 600 – Raised Face (RF))

DN mm	DN	L RF	L RTJ	D mm	g mm	K mm	b mm	z	d mm	Hg mm	R mm	SW1 mm	Weight kg
15	1/2"	165	163	95.2	35.1	66.5	20.6	4	15.7	69	130	10	3.0
20	3/4"	190	190	117.3	42.9	82.6	22.1	4	19.1	71	130	10	4.5
25	1"	216	216	124.0	50.8	88.9	23.9	4	19.1	105	160	10	6.0
32	1 1/4"	229	229	133.4	63.5	98.6	27.0	4	19.1	117	250	17	10.0
40	1 1/2"	241	241	155.4	73.2	114.3	28.8	4	22.2	121	250	17	12.0
50	2"	292	295	165.1	91.9	127.0	37.8	8	19.1	128	250	17	17.0
65	2 1/2"	330	333	190.5	104.6	149.4	34.8	8	22.9	158	250	17	25.0
80	3"	356	359	209.6	127.0	168.1	38.2	8	22.4	182	350	22	32.0

**Series 53** (flanges according to ANSI B16.5 Class 900 – Raised Face (RF))

DN mm	DN	L RF	L RTJ	D mm	g mm	K mm	b mm	z	d mm	Hg mm	R mm	SW1 mm	Weight kg
15	1/2"	216	216	120.7	35.1	82.6	28.8	4	22.4	69	130	10	5
20	3/4"	229	229	130.0	42.9	88.9	31.8	4	22.4	71	130	10	6
25	1"	254	254	149.4	50.8	101.6	34.8	4	25.4	82	160	10	8
32	1 1/4"	279	279	158.8	63.5	111.3	34.8	4	25.4	117	250	17	13
40	1 1/2"	305	305	177.8	73.2	124.0	38.2	4	28.4	121	250	17	15
50	2"	368	371	215.9	91.9	165.1	44.5	8	25.4	128	250	17	21
65	2 1/2"	419	422	244.3	104.6	190.5	47.5	8	28.4	158	250	17	28
80	3"	381	384	241.3	127.0	190.5	44.5	8	25.4	182	350	22	35

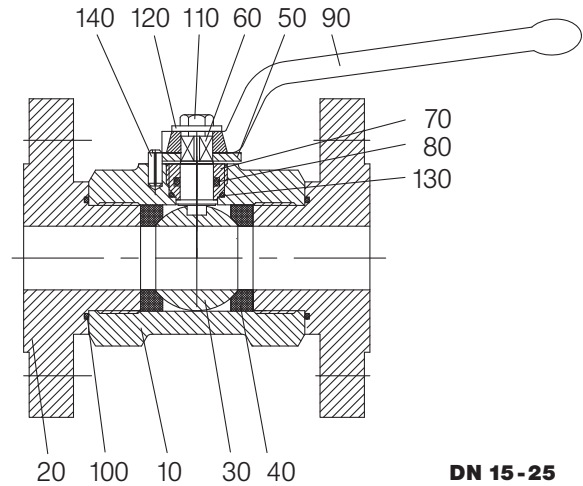
**Series 54** (flanges according to ANSI B16.5 Class 1500 – Raised Face (RF))

DN mm	DN	L RF	L RTJ	D mm	g mm	K mm	b mm	z	d mm	Hg mm	R mm	SW1 mm	Weight kg
15	1/2"	216	216	120.7	35,1	82,6	28,8	4	22,4	69	130	10	5
20	3/4"	229	229	130,0	42,9	88,9	31,8	4	22,4	71	130	10	6
25	1"	254	254	149,4	50,8	101,6	34,8	4	25,4	82	160	10	8
32	1 1/4"	279	279	158,8	63,5	111,3	34,8	4	25,4	117	250	17	13
40	1 1/2"	305	305	177,8	73,2	124,0	38,2	4	28,4	121	250	17	15
50	2"	368	371	215,9	91,9	165,1	44,5	8	25,4	128	250	17	21

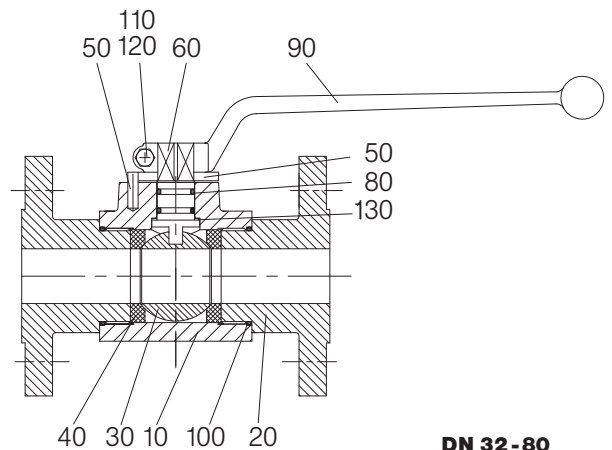
**Example of order:** Ball valve type KFB-C DN 100 with flanged connection According to ANSI B16.5 Class 300 RF  
**KFB-C 100 51-RF**

Parts list		KFB-C	KFB-D
Pos.	Designation	Material*	Material*
10	Body	Forged steel	Stainless steel
		Steel casting	
20	Flange	Steel	Stainless steel
		Steel casting	
30	Ball	Brass, steel	Casting
		Stainless steel	
40	Seal	PTFE, POM	PTFE, POM
50	Stop washer	Steel	Steel, stainless steel
60	Stem	Brass, steel	Stainless steel
70	Fitting	Brass	-
80	O-ring	NBR	FPM
90	Hand lever	Zinc die-casting, steel, casting	
100	O-Ring	NBR, FPM	FPM
110	Bolt		
120	Nut		
	Washer		
130	O-ring	NBR, FPM	FPM
	Sliding ring	Sliding ring	Sliding ring
140	Stop pin		
160	Bolt		
180	Pin	Steel	Stainless steel
190	Bearing shell	Brass	Stainless steel
200	O-ring	NBR, FPM	

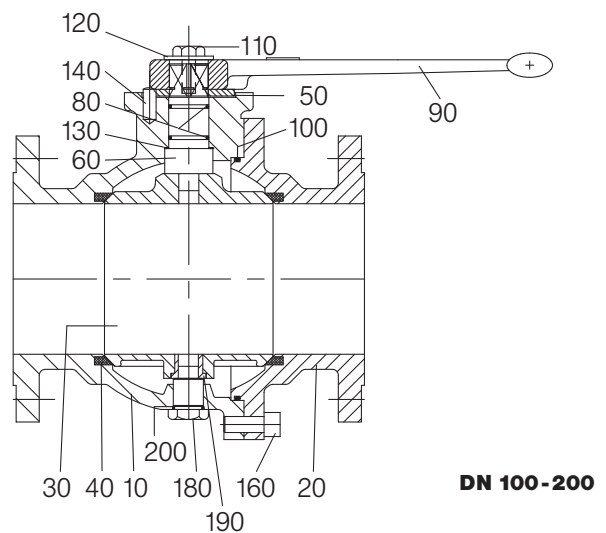
\*Standard (can vary according to nominal width), other materials on request.  
Due to the design, not all items are used for all nominal widths.



**DN 15-25**



**DN 32-80**



**DN 100-200**

Please ask separately, where requirements exceed the standard conditions of use listed in this data sheet.  
As a matter of principle, the operating and maintenance instructions, in particular the safety instructions must be observed!  
Operating and maintenance instructions as well as the approval certificates can be downloaded at [www.von-scheven.de](http://www.von-scheven.de).

We reserve the right to carry out technical modifications.