



Flange ball valve, K-KFB-C, steel, compact face-to-face length With ANSI flange

DN 50 und 100 mm max. Class 1500

Series 52 – Class 600 RF
54 – Class 1500 RF
Flanges also according to RTJ are possible

Temperature range Standard: -10°C to +90°C
On request: -50°C to +250°C

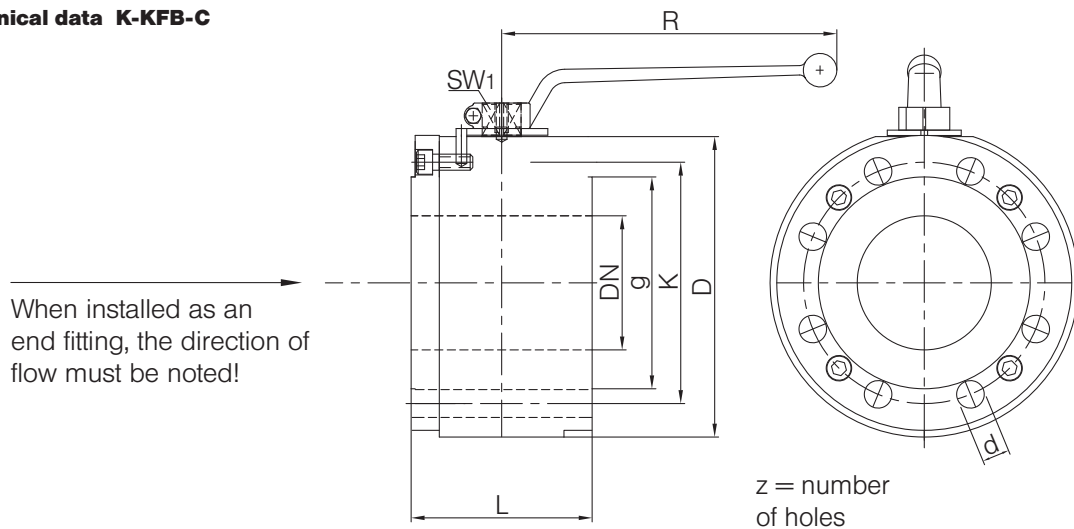
Range of use Liquids: Liquids group 1 and 2 according to PED 2014/68/EU Article 13
Gases: Liquids group 1 and 2 according to PED 2014/68/EU Article 13
As a matter of principle, the resistance to the flow medium must be ensured.

Technical specification The K-KFB-C type ball valve consists of a 2-part body with screwed in on one side, or close-coupled flange. When using the ball valve as an end fitting, the direction of flow must be noted due to the constructional design. A stem seal in accordance with the German Technical Instructions on Air Quality Control (TA Luft) is available as standard from nominal width DN 32.
Actuators can be attached by means of an extension kit. This retrofit requirement is available as standard.

Please ask separately, where requirements exceed the standard conditions of use listed in this data sheet.
As a matter of principle, the operating and maintenance instructions, in particular the safety instructions must be observed!
Operating and maintenance instructions as well as the approval certificates can be downloaded at www.von-scheven.de.

We reserve the right to carry out technical modifications.

Technical data K-KFB-C



2-way ball valves
with flange connection

Series 52 (flanges according to ANSI B16.5 Class 600 – Raised Face (RF))

DN mm	Class	L mm	D mm	g mm	K mm	z mm	d mm	R mm	SW1 mm	H mm
50	600	105.0	165.1	92.1	127.0	8	19	300	17	133
100	600	156.6	268.0	157.2	215.9	8	M24	520	22	285

Series 54 (flanges according to ANSI B16.5 Class 1500 – Raised Face (RF))

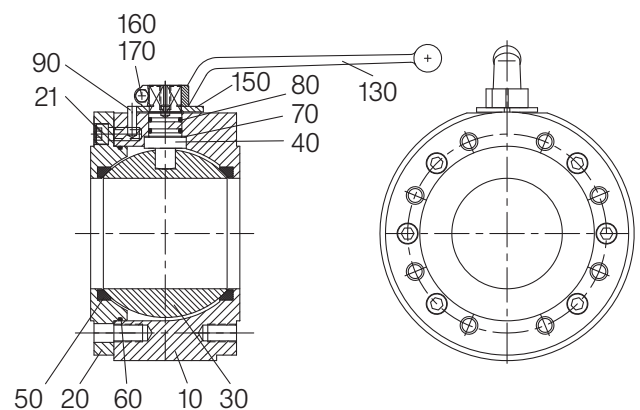
DN mm	Class	L mm	D mm	g mm	K mm	z mm	d mm	R mm	SW1 mm	H mm
50	1500	105.0	215.9	92.1	165.1	8	25.4	300	17	150
100	1500	352.6	290.0	193.7	241.3	8	M33	Manual gears	D = 70	–

Other nominal widths and pressure stages on request.

Example of order: Ball valve type K-KFB DN 100 with 4" flange connection according to ANSI B 16.5 Class 600 RF
K-KFB-C 100 52-RF

Parts list K-KFB-C

Pos.	Designation	Material*
10	Body	Steel
20	Flange	Steel
21	Bolt	
30	Ball	Steel, stainless steel
40	Stem	Steel
50	Seal	PTFE
60	O-ring	NBR, FPM
70	Sliding ring	PTFE
80	O-ring	NBR, FPM
90	Stop pin	
130	Hand lever	Steel
150	Stop washer	Steel
160	Bolt	
170	Nut	
	Washer	



*Standard (can vary according to nominal width), other materials on request.
Due to the design, not all items are used for all nominal widths.