

## Ball valve KSAE-DR-C, steel With swivelling SAE flanges

**DN 15 - 80 mm PN max. 420 bar**

**Series** 68 – Swivelling SAE flanges on both sides 3000 psi  
69 – Swivelling SAE flanges on both sides 6000 psi

**Temperature range** Standard: -10°C to +90°C  
On request: -50°C to +250°C

**Range of use** Liquids: Liquids group 1 and 2 according to PED 2014/68/EU Article 13  
Gases: Liquids group 1 and 2 according to PED 2014/68/EU Article 13  
As a matter of principle, the resistance to the flow medium must be ensured.

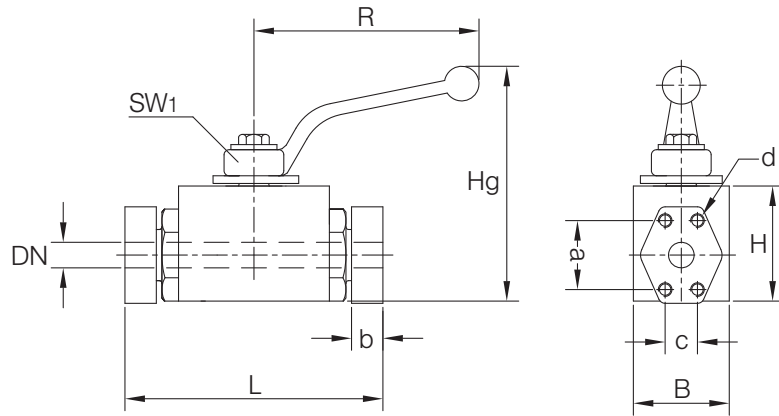
**Technical specification** KSAE-DR-C type ball valve consists of a block resp. forged body with connector with male thread screwed in on both sides including SAE flanges. The flanges are of a swivelling design due to the threaded connection between the SAE flange and the ball valve fitting. Up to nominal width DN 25, the stem is fitted from the outside by means of a fitting. Simple replacement of the stem seal is ensured by the fitting used. A stem seal in accordance with the German Technical Instructions on Air Quality Control (TA Luft) is available as standard from nominal width DN 32 and can be used, on request, up to nominal width DN 25 for an additional charge. Actuators can be attached by means of an extension kit. This retrofit requirement is available as standard from DN 32. Up to nominal width DN 25, this must be stated when placing the order.

Please ask separately, where requirements exceed the standard conditions of use listed in this data sheet.

As a matter of principle, the operating and maintenance instructions, in particular the safety instructions must be observed!  
Operating and maintenance instructions as well as the approval certificates can be downloaded at [www.von-scheven.de](http://www.von-scheven.de).

We reserve the right to carry out technical modifications.

## Technical data KSAE-DR-C



2-way ball valves  
with flange connection

### Series 68 (swivelling SAE flanges on both sides 3000 psi )

DN	PN bar	a mm	b mm	c mm	d mm	B mm	H mm	R mm	L mm	Hg mm	SW1 mm
1/2"	210	38.10	16	17.48	M8						
3/4"	210	47.63	16	22.23	M10						
1"	210	52.37	19	26.19	M10	55	65	160	151	111	10
1 1/4"	210	58.72	18	30.18	M10	Ø 76	65	250	151	117	17
1 1/2"	210	69.85	20	35.71	M12	Ø 90	104	250	170	121	17
2"	210	77.77	20	42.88	M12	Ø100	104	300	190	128	17
2 1/2"	210	88.90	20	50.80	M12	Ø133	137	300	175	158	17
3"	160	106.38	24	61.93	M16	Ø155	208	350	215	260	22

Note! The pressure rating of the connecting flange can deviate from the nominal pressure rating of the ball valve.

### Series 69 (swivelling SAE flanges on both sides 6000 psi)

DN	PN bar	a mm	b mm	c mm	d mm	B mm	H mm	R mm	L mm	Hg mm	SW1 mm
1/2"	420	40.49	16	18.24	M8						
3/4"	420	50.80	19	23.80	M10	45	55	130	118	95	10
1"	420	57.15	24	27.76	M12	55	65	160	151	111	10
1 1/4"	420	66.68	27	31.75	M14	Ø 76	65	250	170	117	17
1 1/2"	420	79.38	30	36.50	M16	Ø 90	104	250	204	121	17
2"	420	96.82	28	44.45	M20	Ø100	104	300	200	128	17

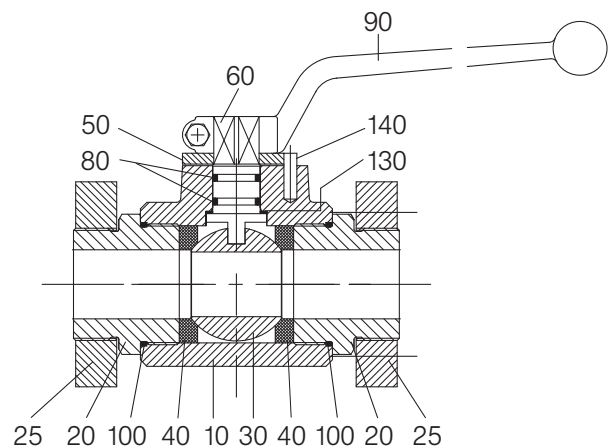
Note! The pressure rating of the connecting flange can deviate from the nominal pressure rating of the ball valve.

**Example of order:** Type KSAE-DR-C DN 20 type ball valve with swivelling SAE flanges on both sides 6000 psi

**KSAE-DR-C 20 69**

### Parts list KSAE-DR-C

Pos.	Designation	Material*
10	Body	Steel
20	Fitting	Steel
25	Flange	Steel
30	Ball	Steel
40	Seal	POM
50	Stop washer	Steel
60	Stem	Steel
80	O-ring	NBR, FPM
90	Hand lever	Zinc die-casting , steel
100	O-ring	NBR, FPM
140	Stop pin	



\*Standard (can vary according to nominal width), other materials on request.  
Due to the design, not all items are used for all nominal widths.