

## 3-way changeover ball valve DBI-C, steel With female thread

**DN 4 - 50 mm PN bis 500 bar**

**Series** 06 – female thread on all sides DIN ISO 228-1

**Temperature range** Standard: -10°C to +90°C  
On request: -50°C to +250°C

**Range of use** Liquids: Liquids group 1 and 2 according to PED 2014/68/EU Article 13  
Gases: Liquids group 1 and 2 according to PED 2014/68/EU Article 13  
As a matter of principle, the resistance to the flow medium must be ensured.

**Technical specification** Up to DN 25, the ball valve type DBI-C consists of a block body, from DN 32 it consists of a forged body with connector screwed in on both sides.  
When using this ball valve, please note that, concerning the seal, this is a changeover ball valve. Pressure inlet must therefore be in the centre. Actuators can be attached by means of an extension kit. This retrofit requirement must be specified when placing the order (additional charge).

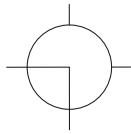
Please ask separately, where requirements exceed the standard conditions of use listed in this data sheet.  
As a matter of principle, the operating and maintenance instructions, in particular the safety instructions must be observed!  
Operating and maintenance instructions as well as the approval certificates can be downloaded at [www.von-scheven.de](http://www.von-scheven.de).

We reserve the right to carry out technical modifications.

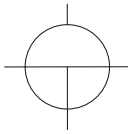
**Technical data DBI-C**

**Ball holes**

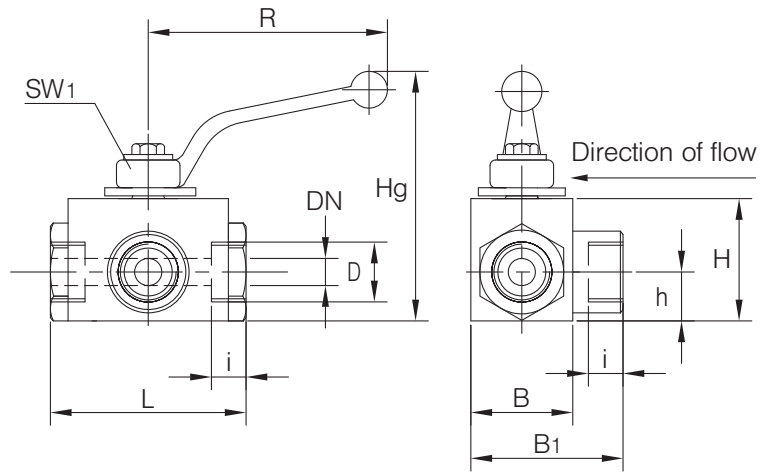
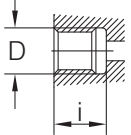
**L-form**



**T-form**



**Series 06**



**Series 06** (pipe female thread DIN ISO 228-1)

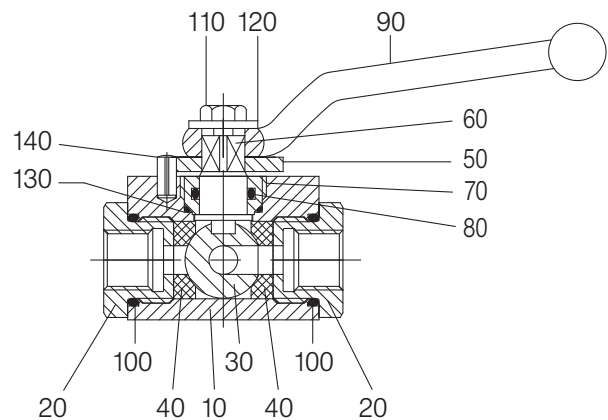
DN mm	PN bar	D	i mm	L mm	B mm	B1 mm	H mm	h mm	Hg mm	R mm	SW1 mm	Weight kg
4	500	G 1/8"	11.0	50	25	43	30	12.5	61	76	7	0.4
6	500	G 1/4"	12.5	50	25	43	30	12.5	61	76	7	0.4
10	500	G 3/8"	12.5	60	30	48	40	15.0	92	112	10	0.6
15	500	G 1/2"	15.0	75	35	55	45	18.0	85	130	10	0.9
20	320	G 3/4"	18.0	80	45	69	55	25.0	95	130	10	1.2
25	320	G 1"	20.0	90	55	81	65	30.0	111	160	10	2.2
32	160	G 1 1/4"	22.0	110	∅ 76	108	93	38.0	155	250	17	3.5
40	160	G 1 1/2"	23.0	120	∅ 90	135	104	45.0	166	250	17	4.8
50	160	G 2"	26.0	140	∅100	120	116	50.0	178	250	17	5.9

**Example of order:** Ball valve type DBI-C made of steel, DN 15 with female thread DIN ISO 228-1 with L-ball (please state ball hole form)

**DBI-C 15 06-L**

**Parts list DBI-C**

Pos.	Designation	Material*
10	Body	Steel
20	Fitting	Steel
30	Ball	Steel
40	Seal	POM
50	Stop washer	
60	Stem	Steel
70	Fitting	Brass
80	O-ring	NBR
90	Hand lever	Zinc die-casting
100	O-ring	NBR
110	Bolt	
120	Washer	
130	O-ring	NBR
140	Stop pin	



\*Standard (can vary according to nominal width), other materials on request.  
Due to the design, not all items are used for all nominal widths.