



3-way changeover ball valve DBI-D, stainless steel

With female thread

DN 4 - 50 mm PN bis 500 bar

Series 06 – female thread on all sides DIN ISO 228-1

Temperature range Standard: -10°C to +90°C
On request: -50°C to +250°C

Range of use Liquids: Liquids group 1 and 2 according to PED 2014/68/EU Article 13
Gases: Liquids group 1 and 2 according to PED 2014/68/EU Article 13
As a matter of principle, the resistance to the flow medium must be ensured.

Technical specification Up to DN 25, ball valve type DBI-D consists of a block body, from DN 32 of a forged body with connector screwed in on one side. When using this ball valve, please note that, concerning the seal, this is a changeover ball valve. Pressure inlet must therefore be in the centre. Actuators can be attached by means of an extension kit. This retrofit requirement must be specified when placing the order (additional charge).

Please ask separately, where requirements exceed the standard conditions of use listed in this data sheet.

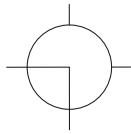
As a matter of principle, the operating and maintenance instructions, in particular the safety instructions must be observed! Operating and maintenance instructions as well as the approval certificates can be downloaded at www.von-scheven.de.

We reserve the right to carry out technical modifications.

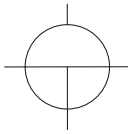
Technical data DBI-D

Ball holes

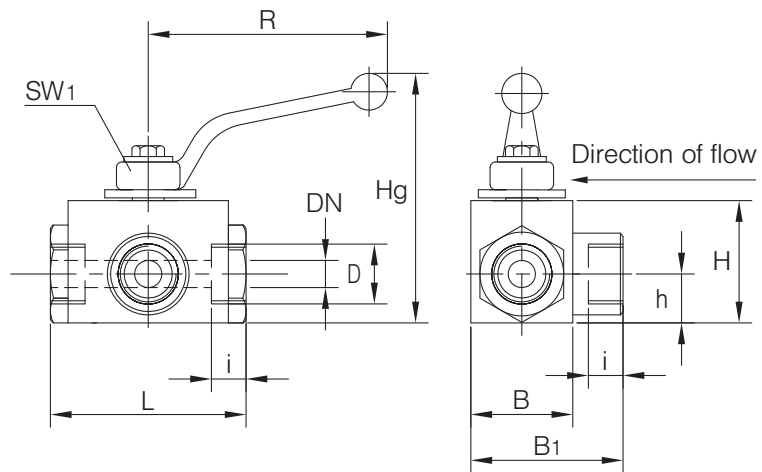
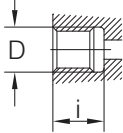
L-form



T-form



Series 06



Series 06 (pipe female thread DIN ISO 228-1)

DN mm	PN bar	D	i mm	L mm	B mm	B1 mm	H mm	h mm	Hg mm	R mm	SW1 mm	Weight kg
4	500	G 1/8"	12.5	60	40	40	40	16	92	112	10	0.7
6	500	G 1/4"	12.5	60	40	40	40	16	92	112	10	0.7
10	500	G 3/8"	12.5	60	40	59	40	16	92	112	10	0.7
15	500	G 1/2"	15.0	75	45	65	45	19	85	130	10	1.2
20	320	G 3/4"	18.0	80	55	79	55	25	95	130	10	1.5
25	320	G 1"	20.0	90	65	91	65	30	111	160	10	2.4
32	160	G 1 1/4"	22.0	110	∅ 76	108	93	38	155	250	17	3.5
40	160	G 1 1/2"	23.0	120	∅ 90	135	104	45	166	250	17	4.8
50	160	G 2"	26.0	140	∅100	120	116	50	178	250	17	5.9

Example of order: Ball valve type DBI-D in stainless steel, DN 15 with female thread DIN ISO 228-1 with L-ball (please state ball hole form)

DBI-D 15 06-L

Parts list DBI-D

Pos.	Designation	Material*
10	Body	Stainless steel
20	Fitting	Stainless steel
30	Ball	Stainless steel
40	Seal	POM
50	Stop washer	
60	Stem	Stainless steel
80	O-ring	FPM
90	Hand lever	Zinc die-casting
100	O-ring	FPM
110	Bolt	
120	Washer	
130	Sliding ring	PTFE
140	Stop pin	

*Standard (can vary according to nominal width), other materials on request.
Due to the design, not all items are used for all nominal widths.

