



## 3- and 4-way low-pressure block ball valve NBDA-C, NBVA-C, NBDA-D, NBVA-D, steel

### With male thread

**DN 4 - 25 mm PN max. 40 bar**

Also available in stainless steel.

- Series** 02 – male thread on all sides for non-soldering compression fittings with cutting ring DIN 2353 – light-duty series  
 03 – male thread on all sides for non-soldering compression fittings with cutting ring DIN 2353 – heavy-duty series

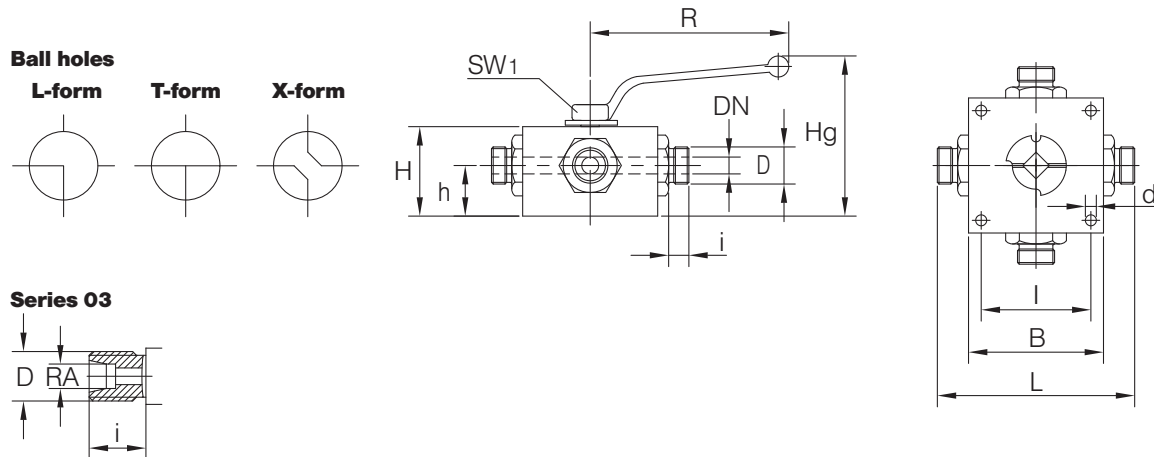
**Temperature range** Standard: -10°C to +150°C  
 On request: -50°C to +250°C

**Range of use** Liquids: Liquids group 1 and 2 according to PED 2014/68/EU Article 13  
 Gases: Liquids group 1 and 2 according to PED 2014/68/EU Article 13  
 As a matter of principle, the resistance to the flow medium must be ensured.

**Technical specification** NBDA-C, NBVA-C, NBDA-D and NBVA-D type ball valves consist of a block body with screwed in connectors. Actuators can be attached by means of an extension kit. This retrofit requirement must be specified when placing the order (additional charge).

## Technical data

### NBDA-C, NBVA-C, NBDA-D, NBVA-D



### Series 02 (for non-soldering compression fittings with cutting ring DIN 2353, light-duty series)

DN mm	RA mm	PN bar	D mm	i mm	L mm	l* mm	B mm	d mm	H mm	h mm	Hg mm	R mm	SW1 mm	Weight kg
4	6	40	M 12x1.5	10	102	55	70	6.5	45	26.0	91	160	10	1.7
6	8	40	M 14x1.5	10	102	55	70	6.5	45	26.0	91	160	10	1.7
8	10	40	M 16x1.5	11	113	65	80	6.5	53	30.0	103	160	10	2.6
10	12	40	M 18x1.5	11	113	65	80	6.5	53	30.0	103	160	10	2.6
12	15	40	M 22x1.5	12	136	80	100	9.0	60	35.0	122	250	17	4.4
16	18	40	M 26x1.5	12	136	80	100	9.0	60	35.0	122	250	17	4.4
20	22	40	M 30x2	14	150	85	107	9.0	72	42.5	126	370	22	5.8
25	28	40	M 36x2	14	178	105	126	11.0	85	47.5	139	370	22	9.5

Note! The pressure rating of the pipe unions can deviate from the nominal pressure rating of the ball valve.

\*In stainless steel: Deviating dimensions

### Series 03 (for non-soldering compression fittings with cutting ring DIN 2353, heavy-duty series)

DN mm	RA mm	PN bar	D mm	i mm	L mm	l* mm	B mm	d mm	H mm	h mm	Hg mm	R mm	SW1 mm	Weight kg
4	8	40	M 16x1.5	12	106	55	70	6.5	45	26.0	83	185	10	1.7
6	10	40	M 18x1.5	12	106	55	70	6.5	45	26.0	83	185	10	1.7
8	12	40	M 20x1.5	12	115	65	80	6.5	53	30.0	95	185	10	2.6
10	14	40	M 22x1.5	14	119	65	80	6.5	53	30.0	95	185	10	2.6
12	16	40	M 24x1.5	14	140	80	100	9.0	60	35.0	122	250	17	4.4
16	20	40	M 30x2	16	144	80	100	9.0	60	35.0	122	250	17	4.4
20	25	40	M 36x2	18	158	85	107	9.0	72	42.5	126	370	22	5.8
25	30	40	M 42x2	20	182	105	126	11.0	85	47.5	139	370	22	9.5

Note! The pressure rating of the pipe unions can deviate from the nominal pressure rating of the ball valve.

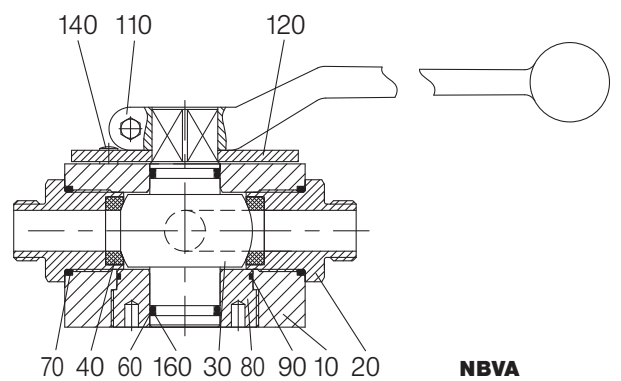
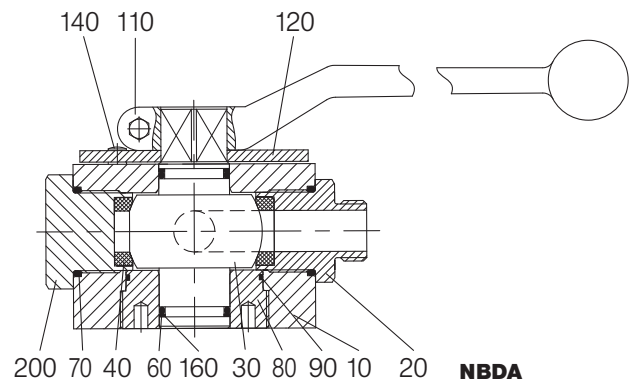
\*In stainless steel: Deviating dimensions

**Example of order:** NBDA-C type three-way ball valve made of steel, DN 20 with male thread for non-soldering compression fittings with cutting ring DIN 2353 - light-duty series (series 02) and ball hole in X-form  
**NBA-C 20 02-X**

**Parts list**

Pos.	Designation	<b>NBDA-C</b>	<b>NBDA-D</b>
		<b>NBVA-C</b>	<b>NBVA-D</b>
		Material*	Material*
10	Body	Steel	Stainless steel
20	Fitting	Steel	Stainless steel
30	Ball	Steel	Stainless steel
40	Seal	PTFE	PTFE
60	O-ring	NBR	NBR / FPM
70	O-ring	NBR	NBR / FPM
80	Fitting	Steel	Stainless steel
90	O-ring	NBR	NBR / FPM
100	Hand lever	Zinc die-casting	Zinc die-casting
120	Stop washer		
140	Stop pin		
160	Supporting ring	PTFE	PTFE
200	Blanking plug	Steel	Stainless steel

\*Standard (can vary according to nominal width), other materials on request.  
Due to the design, not all items are used for all nominal widths.



Please ask separately, where requirements exceed the standard conditions of use listed in this data sheet.  
As a matter of principle, the operating and maintenance instructions, in particular the safety instructions must be observed!  
Operating and maintenance instructions as well as the approval certificates can be downloaded at [www.von-scheven.de](http://www.von-scheven.de).

We reserve the right to carry out technical modifications.