

# High pressure compact ball valve HBSK-C, HBSK-D, SIBK-C, steel With Steck-O connector

**DN 10-31 (32) PN max. 500 bar**

Also available as a stainless steel ball valve.

**Series** 15 – male - female connectors  
16 – female - female connectors

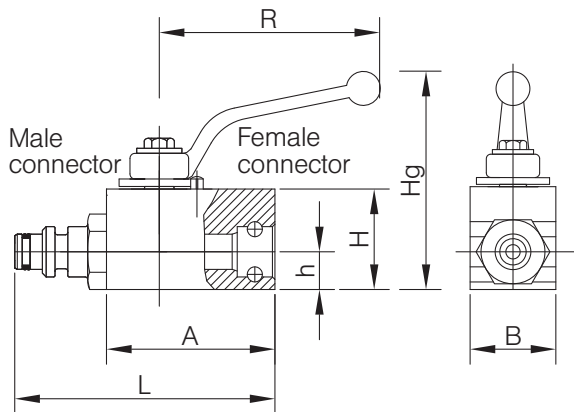
**Temperature range** Standard: -10°C to +90°C  
On request: -50°C to +250°C

**Range of use** Liquids: Liquids group 1 and 2 according to PED 2014/68/EU Article 13  
Gases: Liquids group 1 and 2 according to PED 2014/68/EU Article 13  
As a matter of principle, the resistance to the flow medium must be ensured.

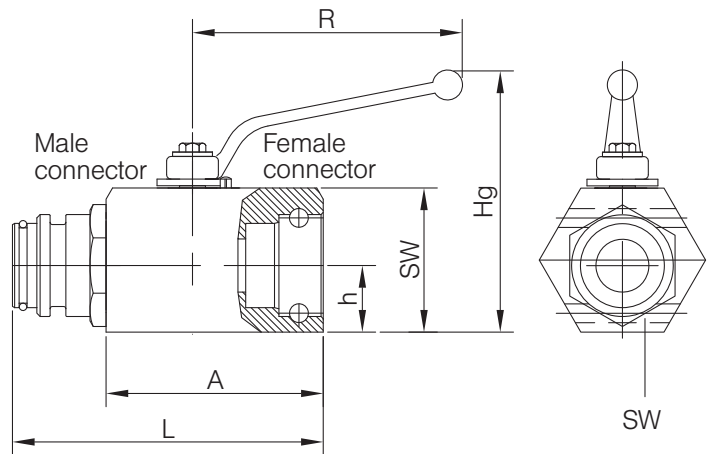
**Technical specification** Ball valves HBSK-C, HBSK-D and SIBK-C are designed as compact ball valves with fixed female connector integrated in the body and screwed-in connector. The stem is fitted blowout-proof from the outside. Fast fitment in suitable HD line systems is possible by means of the male/female connection variant. With the safety locking handle (SIBK-C) option, apart from the one-sided lock in closed position, the positions can also be fixed on both sides. Also available with locking capability.

**Technical data**  
**HBSK-C, HBSK-D, SIBK-C**

**DN 10 to 19**

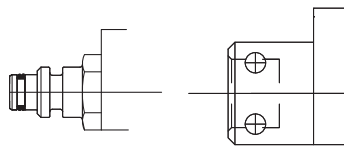


**DN 25 and 31**



**Series 15**

**Series 16**



**Series 15** (fixed female – male)

Steck-O DN	PN bar	A mm	L mm	h mm	H mm	B mm	SW mm	R mm	Hg mm	Weight kg
10	500	70.5	106	15.0	40	30	–	112	92	0.85
12	500	76.0	112	18.0	45	35	–	130	85	1.00
19 (20)	450	78.0	114	23.0	50	40	–	130	90	1.30
25	400	90.0	133	59.0	–	–	60	160	108	2.20
31 (32)	300	100.0	143	62.5	–	–	65	160	113	2.60

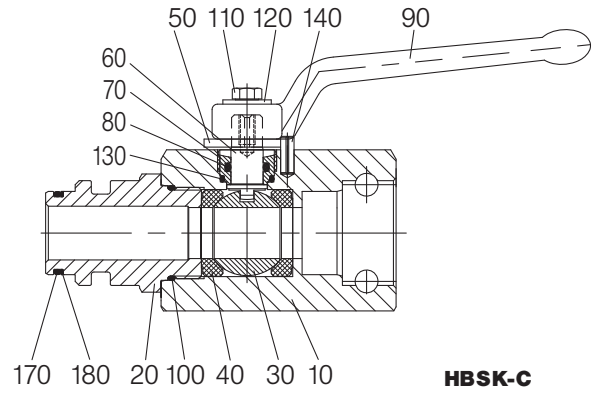
**Series 16** (fixed female – fixed female, up to DN 19 one female swivelling)

Steck-O DN	PN bar	A mm	L mm	h mm	H mm	B mm	SW mm	R mm	Hg mm	Weight kg
10	500	70.5	88	15.0	40	30	–	112	92	0.9
12	500	76.0	111	18.0	45	35	–	130	85	1.1
19 (20)	450	78.0	118	23.0	50	40	–	130	90	1.4
25	400	90.0	134	59.0	–	–	60	160	108	2.3
31 (32)	300	100.0	141	62.5	–	–	65	160	113	2.8

**Example of order:** Ball valve type HBSK-C made of steel with connector:  
 Steck-O DN 25 female – male (series 15) with hand lever  
**HBSK-C 25 15**

Parts list		HBSK-C	HBSK-D
Pos.	Designation	Material*	Material*
10	Body	Steel	Stainless steel
20	Fitting	Steel	Stainless steel
30	Ball	Steel	Stainless steel
40	Seal	POM	POM
50	Stop washer	Steel	Stainless steel
60	Stem	Steel	Stainless steel
70	Fitting	Brass	Stainless steel
80	O-ring	NBR	NBR
90	Hand lever	Zinc die-casting	Zinc die-casting
100	O-ring	NBR	NBR
110	Bolt		
120	Washer		
130	O-ring	NBR	NBR
140	Stop pin		
170	O-ring	NBR	NBR
180	Supporting ring	POM	POM

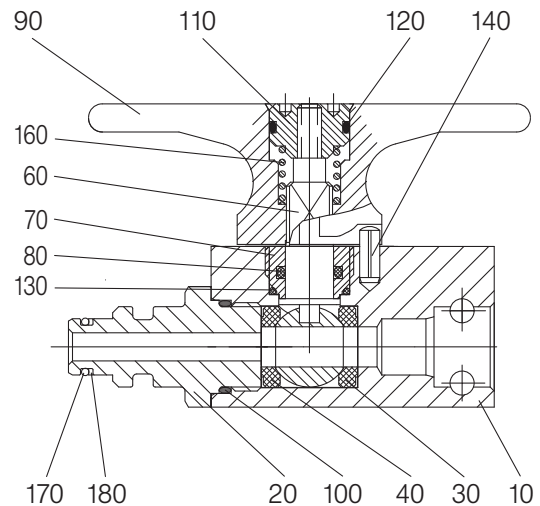
\*Standard (can vary according to nominal width), other materials on request.  
Due to the design, not all items are used for all nominal widths.



### Parts list SIBK-C

Pos.	Designation	Material*
10	Body	Steel
20	Fitting	Steel
30	Ball	Steel
40	Seal	POM
60	Stem	Stainless steel
70	Fitting	Brass
80	O-ring	NBR
90	Safety locking handle	Zinc die-casting
100	O-ring	NBR
110	Retaining nut	Brass
120	O-ring	NBR
130	O-ring	NBR
160	Spring	Stainless steel
170	O-ring	NBR
180	Supporting ring	POM

\*Standard (can vary according to nominal width), other materials on request.  
Due to the design, not all items are used for all nominal widths.



**SIBK-C**

Please ask separately, where requirements exceed the standard conditions of use listed in this data sheet.  
As a matter of principle, the operating and maintenance instructions, in particular the safety instructions must be observed!  
Operating and maintenance instructions as well as the approval certificates can be downloaded at [www.von-scheven.de](http://www.von-scheven.de).

We reserve the right to carry out technical modifications.