



High pressure compact ball valve SIBK-D, stainless steel With Steck-O connector

DN 10-25 PN max. 500 bar

Series 15 – female - male connectors
16 – female - female connectors

Temperature range Standard: -10°C to +90°C;
On request: -50°C to +250°C

Range of use Liquids: Liquids group 1 and 2 according to PED 2014/68/EU Article 13
Gases: Liquids group 1 and 2 according to PED 2014/68/EU Article 13
As a matter of principle, the resistance to the flow medium must be ensured.

Technical specification Ball valve SIBK-D is designed as a compact ball valve with fixed female connector integrated in the body and screwed-in connector. The stainless steel stem is fitted blowout-proof from the outside. Fast fitment in suitable HD line systems is possible by means of the male/female connection variant. With the safety locking handle (SIBK-C) option, apart from the one-sided lock in closed position, the positions can also be fixed on both sides. Also available with locking capability.

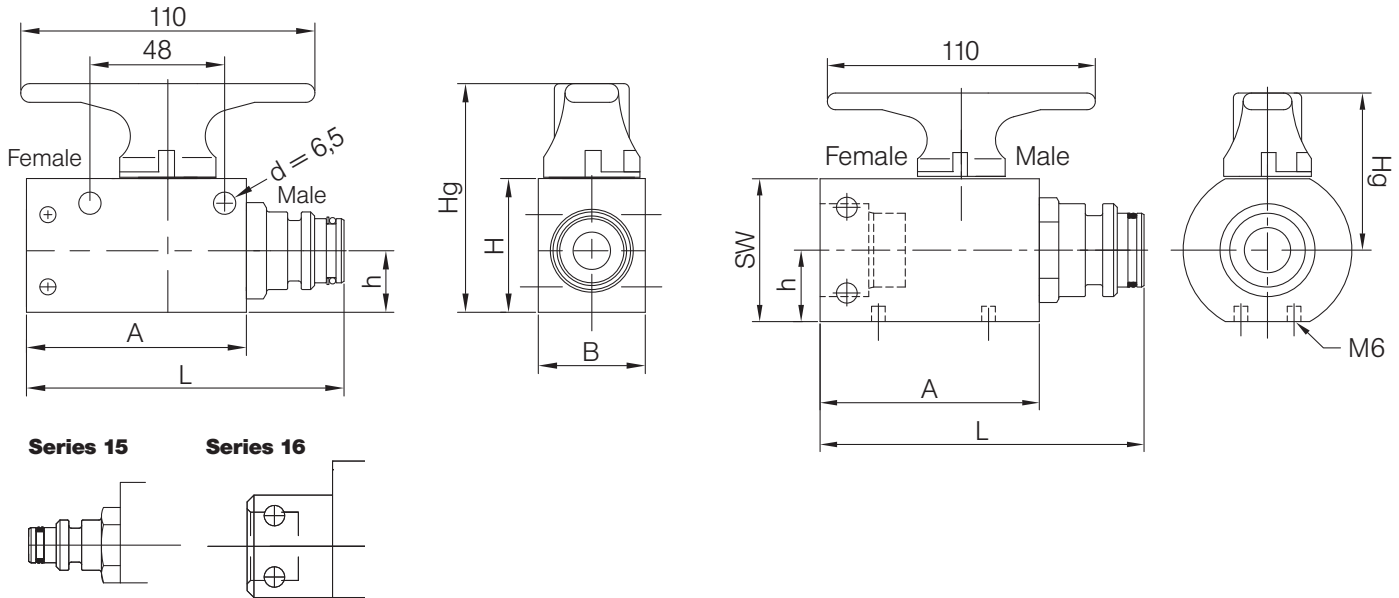
Please ask separately, where requirements exceed the standard conditions of use listed in this data sheet.

As a matter of principle, the operating and maintenance instructions, in particular the safety instructions must be observed!

Operating and maintenance instructions as well as the approval certificates can be downloaded at www.von-scheven.de.

We reserve the right to carry out technical modifications.

Technical data SIBK-D



Series 15 (fixed female – male)

Steck-O DN	PN bar	A mm	L mm	h mm	H mm	B mm	SW mm	Hg mm	Weight kg
10	500	70.5	106	15	40	30	–	76	0.9
12	500	76.0	112	18	45	35	–	81	1.1
19(20)	450	78.0	114	23	50	40	–	86	1.5
25	400	90.0	133	59	–	–	60	66	2.5

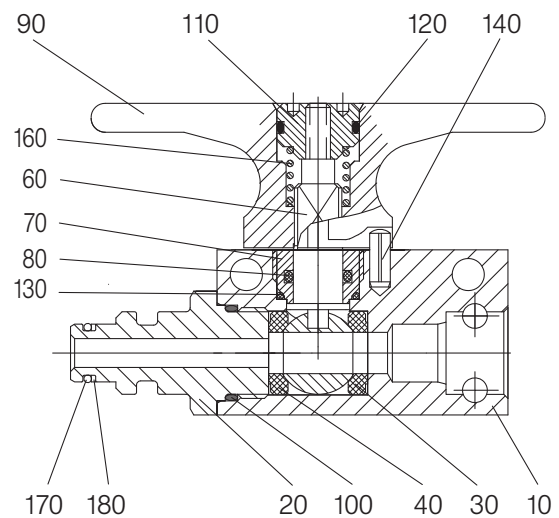
Series 16 (fixed female – fixed female)

Steck-O DN	PN bar	A mm	L mm	h mm	H mm	B mm	SW mm	Hg mm	Weight kg
10	500	70.5	88	15	40	30	–	76	1.0
12	500	76.0	111	18	45	35	–	81	1.2
19 (20)	450	78.0	118	23	50	40	–	86	1.6
25	400	90.0	134	59	–	–	60	66	2.6

Example of order: Ball valve type SIBK-D of stainless steel with connector: Steck-O DN 25 female – male (Series 15) with safety locking handle **SIBK-D 25 15**

Parts list SIBK-D

Pos.	Designation	Material*
10	Body	Stainless steel
20	Fitting	Stainless steel
30	Ball	Stainless steel
40	Seal	POM
60	Stem	Stainless steel
70	Fitting	Brass
80	O-ring	NBR
90	Safety locking handle	Zinc die-casting
100	O-ring	NBR
110	Retaining nut	Brass
120	O-ring	NBR
130	O-ring	NBR
160	Spring	Stainless steel
170	O-ring	NBR
180	Supporting ring	POM



SIBK-D

*Standard (can vary according to nominal width), other materials on request.
Due to the design, not all items are used for all nominal widths.