



High pressure block ball valve HBS-C, SIB-C, HBS-D, SIB-D, steel

With Steck-O connector

DN 06 - 31 (32) PN max. 500 bar

DN 10 - DN 20 = swivelling female connector

DN 26 - DN 32 = fixed female connector

Also available as a stainless steel ball valve.

Series 15 – female - male connector
16 – female - female connector
17 – male – male connector

Temperature range Standard: -10°C to +90°C
On request: -50°C to +250°C

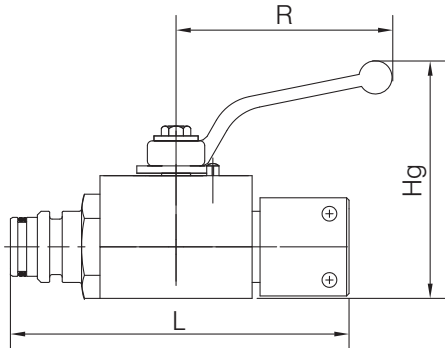
Range of use Liquids: Liquids group 1 and 2 according to PED 2014/68/EU Article 13
Gases: Liquids group 1 and 2 according to PED 2014/68/EU Article 13
As a matter of principle, the resistance to the flow medium must be ensured.

Technical specification Ball valves HBS-C, SIB-C, HBS-D and SIB-D are designed as ball valves with swivelling female connector (DN 10-20) with 2 screwed-in connectors in the body. The stem is fitted blowout-proof from the outside. Fast fitment in suitable HD line systems is possible by means of the male/female connection variant. With the safety locking handle (SIBK-C) option, apart from the one-sided lock in closed position, the positions can also be fixed on both sides. Also available with locking capability.

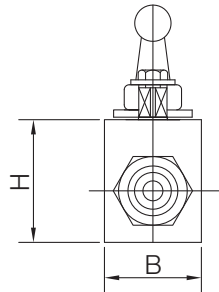
Technical data

HBS-C, SIB-C, HBS-D, SIB-D

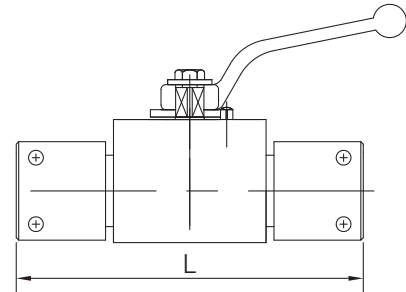
Connection 15



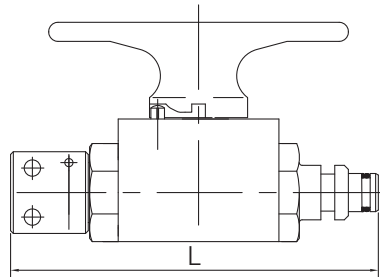
HBS-C



Connection 16



SIB-C



Series 15 (female – male)

Steck-O DN	PN bar	L mm	Female connector	B* mm	H mm	R mm	Hg mm	Weight kg
6	500	99	Fixed	25	30	76	61	0.70
10	500	117	Swivelling	35	45	130	70	0.80
12	500	117	Swivelling	35	45	130	70	0.80
19 (20)	450	117	Swivelling	35	45	130	70	1.06
25	400	151	Fixed	45	55	160	108	1.80
31 (32)	300	163	Fixed	55	65	160	113	2.30

Series 16 (female – female)

Steck-O DN	PN bar	L mm	Female connector	B* mm	H mm	R mm	Hg mm	Weight kg
6	500	84	Fixed	25	30	76	61	0.8
10	500	120	Swivelling	35	45	130	70	0.9
12	500	120	Swivelling	35	45	130	70	0.9
19 (20)	450	120	Swivelling	35	45	130	70	0.9
25	400	152	Fixed	45	55	160	108	1.8
31 (32)	300	161	Fixed	55	65	160	113	2.4

Series 17 (male – male)

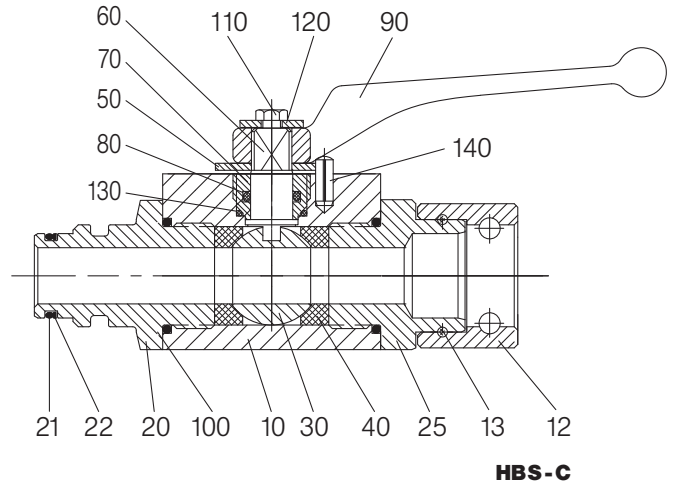
Steck-O DN	PN bar	L mm	B* mm	H mm	R mm	Hg mm	Weight kg
6	500	114	25	30	76	61	0.7
10	500	114	35	45	130	70	0.8
12	500	114	35	45	130	70	0.9
19 (20)	450	114	35	45	130	70	1.0
25	400	150	45	55	160	108	1.7
31 (32)	300	165	55	65	160	113	1.8

*Deviating dimensions in stainless steel.

Example of order: Ball valve type HBS-C made of steel with connector: Steck-O DN 12
male – swivelling female (series 15) with hand lever
HBS-C 12 15

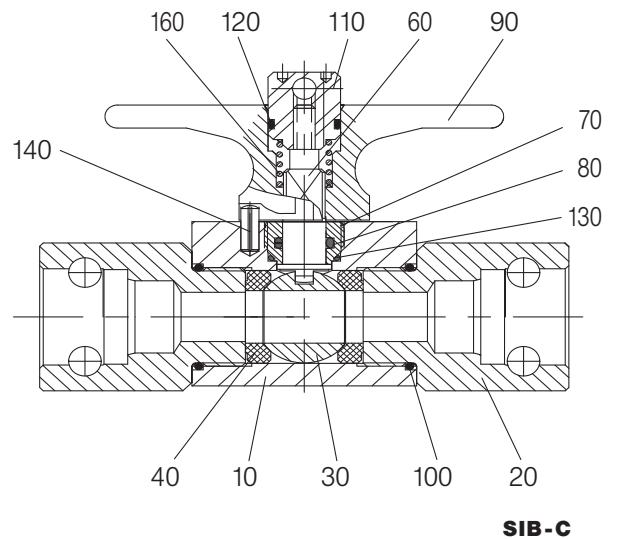
Parts list		HBS-C	HBS-D
Pos.	Designation	Material*	Material*
10	Body	Steel	Stainless steel
12	Sleeve	Steel	
13	Wire		
20	Fitting	Steel	Stainless steel
21	O-ring	NBR	NBR
22	Supporting ring	POM	POM
25	Fitting	Steel	Stainless steel
30	Ball	Steel	Stainless steel
40	Seal	POM	POM
50	Stop washer	Steel	Stainless steel
60	Stem	Steel	Stainless steel
70	Fitting	Brass	
80	O-ring	NBR	NBR
90	Hand lever	Zinc die-casting	Zinc die-casting
100	O-ring	NBR	NBR
110	Bolt		
120	Washer		
130	O-ring	NBR	NBR
140	Stop pin		

*Standard (can vary according to nominal width), other materials on request.



Parts list		SIB-C	SIB-D
Pos.	Designation	Material*	Material*
10	Body	Steel	Stainless steel
20	Fitting	Steel	Stainless steel
30	Ball	Steel	Stainless steel
40	Seal	POM	POM
60	Stem	Stainless steel	Stainless steel
70	Fitting	Brass	Brass
80	O-ring	NBR	NBR
90	Safety locking handle	Zinc die-casting	Zinc die-casting
100	O-ring	NBR	NBR
110	Retaining nut	Brass	Brass
120	O-ring	NBR	NBR
130	O-ring	NBR	NBR
140	Stop pin		
160	Spring	Stainless steel	Stainless steel

*Standard (can vary according to nominal width), other materials on request.
Due to the design, not all items are used for all nominal widths.



Please ask separately, where requirements exceed the standard conditions of use listed in this data sheet.
As a matter of principle, the operating and maintenance instructions, in particular the safety instructions must be observed!
Operating and maintenance instructions as well as the approval certificates can be downloaded at www.von-scheven.de.

We reserve the right to carry out technical modifications.