



High pressure ball valve HKS-C, steel

With swivelling Steck-O connector

DN 10 - 19 (20) PN max. 500 bar

Series 15 – female - male connector
16 – female - female connector

Temperature range Standard: -10°C to +90°C
On request: -50°C to +250°C

Range of use Liquids: Liquids group 1 and 2 according to PED 2014/68/EU Article 13
Gases: Liquids group 1 and 2 according to PED 2014/68/EU Article 13
As a matter of principle, the resistance to the flow medium must be ensured.

Technical specification Ball valve HKS-C is designed as a ball valve with swivelling female connector and with one screwed-in connector. The stem is fitted blowout-proof from the outside. Fast fitment in suitable HD line systems is possible by means of the male/female connection variant.

Please ask separately, where requirements exceed the standard conditions of use listed in this data sheet.

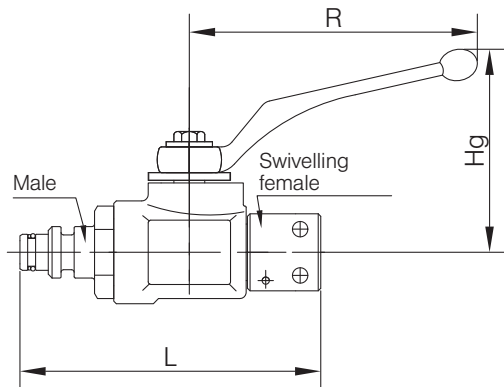
As a matter of principle, the operating and maintenance instructions, in particular the safety instructions must be observed!

Operating and maintenance instructions as well as the approval certificates can be downloaded at www.von-scheven.de.

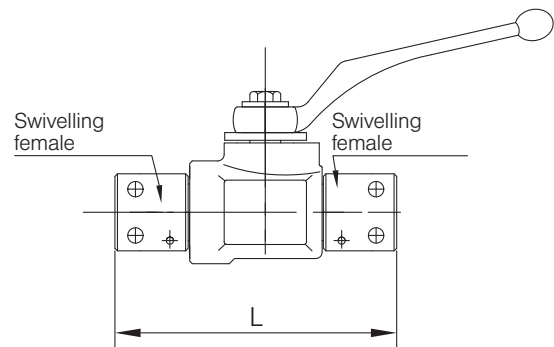
We reserve the right to carry out technical modifications.

Technical data HKS-C

Connection 15



Connection 16



Series 15 (swivelling female – male)

Steck-O DN	PN bar	L mm	B mm	R mm	Hg mm	Weight kg
10	500	117	40	130	70	0.8
12	500	117	40	130	70	0.8
19 (20)	450	117	40	130	70	1.0

Series 16 (swivelling female – swivelling female)

Steck-O DN	PN bar	L mm	B mm	R mm	Hg mm	Weight kg
10	500	120	40	130	70	0.9
12	500	120	40	130	70	1.0
19 (20)	450	120	40	130	70	1.1

Example of order: Ball valve type HKS-C made of steel with connector: Steck-O DN 12 male – swivelling female (series 15) with hand lever **HKS-C 12 15**

Parts list HKS-C

Pos.	Designation	Material*
10	Body	Steel
12	Sleeve	Steel
13	Wire	
20	Fitting	Steel
21	O-ring	NBR
22	Supporting ring	POM
30	Ball	Steel
40	Seal	POM
50	Stop washer	Steel
60	Stem	Steel
70	Fitting	Brass
80	O-ring	NBR
90	Hand lever	Zinc die-casting
100	O-ring	NBR
110	Bolt	
120	Washer	
130	O-ring	NBR
140	Stop pin	

*Standard (can vary according to nominal width), other materials on request.
Due to the design, not all items are used for all nominal widths.

