



## High pressure ball valve HBS-C, SIB-C, HBS-D, SIB-D, steel With Super-Steck-O connector

**DN 12-31 (32) PN max. 500 bar**

Also available in stainless steel.

**Series** 15-SS – female - male connector  
16-SS – female - female connector

**Temperature range** Standard: -10°C to +90°C  
On request: -50°C to +250°C

**Range of use** Liquids: Liquids group 1 and 2 according to PED 2014/68/EU Article 13  
Gases: Liquids group 1 and 2 according to PED 2014/68/EU Article 13  
As a matter of principle, the resistance to the flow medium must be ensured.

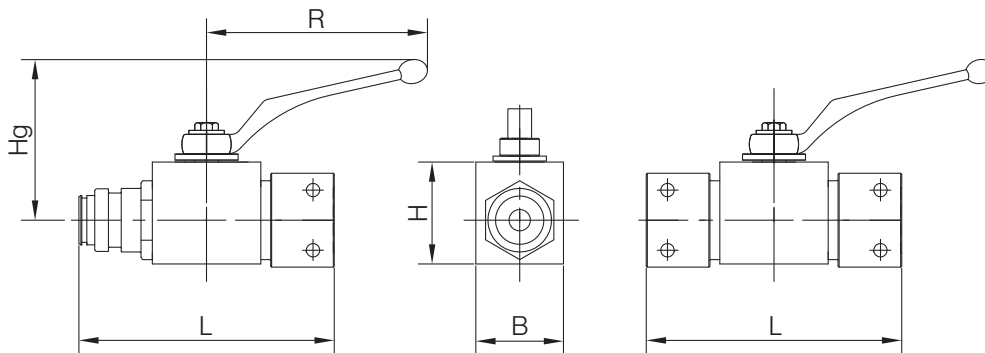
**Technical specification** Ball valves HBS-C, SIB-C, HBS-D and SIB-D are designed with 2 screwed-in connectors in the body. The stem is fitted blowout-proof up to DN 25 from the outside. Fast fitment in suitable HD line systems is possible by means of the male/female connection variant. With the safety locking handle (SIBK-C) option, apart from the one-sided lock in closed position, the positions can also be fixed on both sides. Also available with locking capability.

**Technical data HBS-C, SIB-C, HBS-D, SIB-D**

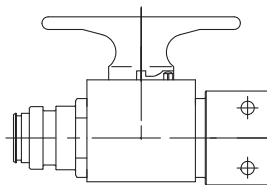
**Connection 15**

**HBS-C**

**Connection 16**



**SIB-C**



**Series 15-SS** (fixed female – male)

Steck-O DN	PN bar	L mm	B* mm	H mm	R mm	Hg mm	Weight kg
12-SS	500	130	35	45	130	70	1.0
19 (20)-SS	500	153	40	50	130	70	1.2
25-SS	500	201	55	65	160	83	2.0
31 (32)-SS	420	207	55	65	160	83	2.5

\*Deviating dimensions in stainless steel.

**Series 16-SS** (fixed female – fixed female)

Steck-O DN	PN bar	L mm	B* mm	H mm	R mm	Hg mm	Weight kg
12-SS	500	115	35	45	130	70	1.2
19 (20)-SS	500	145	40	50	130	70	1.5
25-SS	500	191	55	65	160	83	2.3
31 (32)-SS	420	205	55	65	160	83	2.8

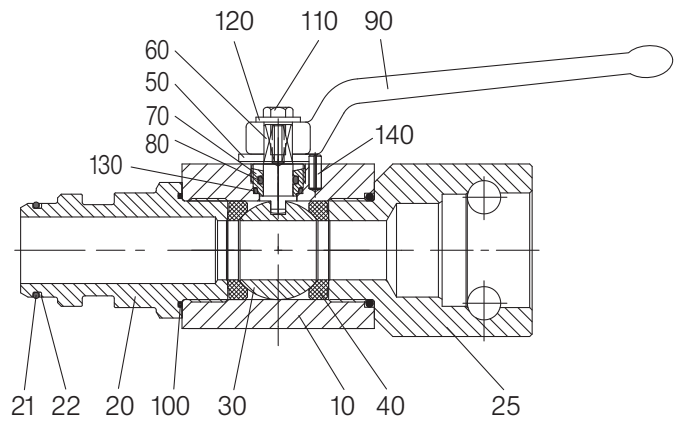
\*Deviating dimensions in stainless steel.

**Example of order:** Ball valve type HKS-C made of steel with connector: Super-Steck-O DN 25 female – male (series 15) with hand lever

**HBS-C 2515-SS**

Parts list		HBS-C	HBS-D
Pos.	Designation	Material*	Material*
10	Body	Steel	Stainless steel
20	Fitting	Steel	Stainless steel
21	O-ring	NBR	NBR
22	Supporting ring	POM	POM
25	Fitting	Steel	Stainless steel
30	Ball	Steel	Stainless steel
40	Seal	POM	POM
50	Stop washer	Steel	Stainless steel
60	Stem	Steel	Stainless steel
70	Fitting	Brass	
80	O-ring	NBR	NBR
90	Hand lever	Zinc die-casting	Zinc die-casting
100	O-ring	NBR	NBR
110	Bolt		
120	Washer		
130	O-ring	NBR	NBR
140	Stop pin		

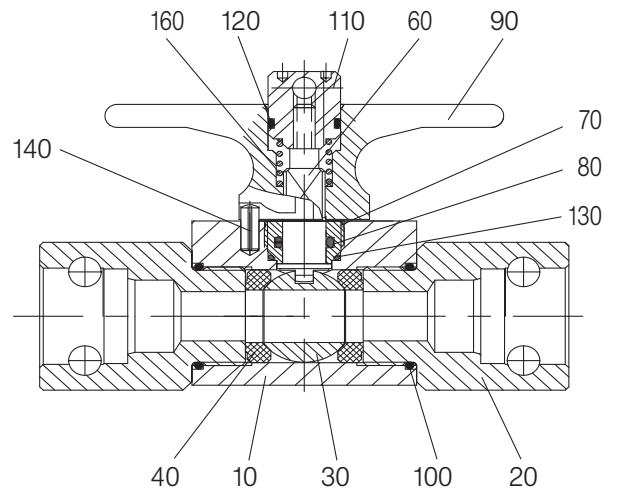
\*Standard (can vary according to nominal width), other materials on request.



**HBS-C**

Parts list		SIB-C	SIB-D
Pos.	Designation	Material*	Material*
10	Body	Steel	Stainless steel
20	Fitting	Steel	Stainless steel
30	Ball	Steel	Stainless steel
40	Seal	POM	POM
60	Stem	Stainless steel	Stainless steel
70	Fitting	Brass	Brass
80	O-ring	NBR	NBR
90	Safety locking handle	Zinc die-casting	Zinc die-casting
100	O-ring	NBR	NBR
110	Retaining nut	Brass	Brass
120	O-ring	NBR	NBR
130	O-ring	NBR	NBR
140	Stop pin		
160	Spring	Stainless steel	Stainless steel

\*Standard (can vary according to nominal width), other materials on request.  
Due to the design, not all items are used for all nominal widths.



**SIB-C**

Please ask separately, where requirements exceed the standard conditions of use listed in this data sheet.  
As a matter of principle, the operating and maintenance instructions, in particular the safety instructions must be observed!  
Operating and maintenance instructions as well as the approval certificates can be downloaded at [www.von-scheven.de](http://www.von-scheven.de).

We reserve the right to carry out technical modifications.