

High pressure ball valve HKS-C, HKS-D, steel

With Super-Steck-O connector

DN 38 (40) and DN 51(50) PN max. 420 bar

Also available as a stainless steel ball valve.

Series 15-SS – female - male connector
16-SS – female - female connector

Temperature range Standard: -10°C to +90°C;
On request: -50°C to +250°C

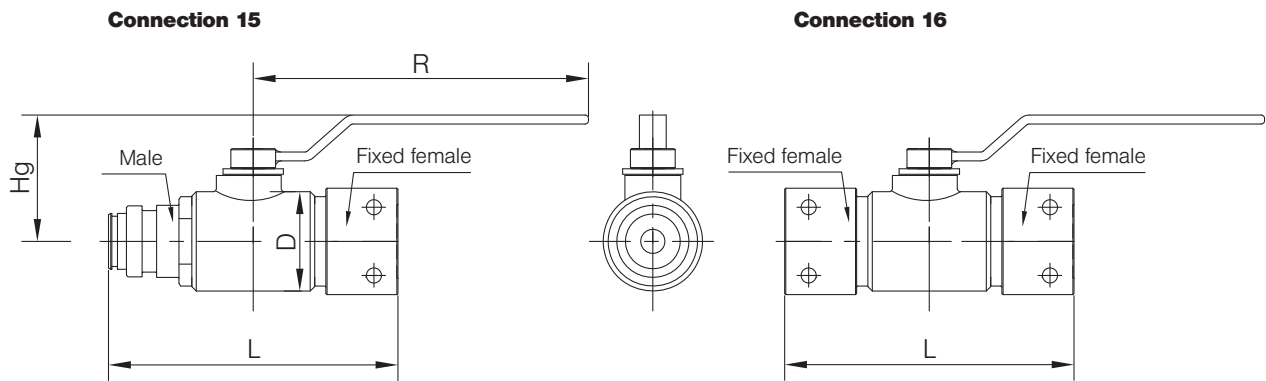
Range of use Liquids: Liquids group 1 and 2 according to PED 2014/68/EU Article 13
Gases: Liquids group 1 and 2 according to PED 2014/68/EU Article 13
As a matter of principle, the resistance to the flow medium must be ensured.

Technical specification Ball valves HKS-C and HKS-D are designed with 2 screwed-in connectors in the body. The stem is fitted blowout-proof. Fast fitment in suitable HD line systems is possible by means of the male/female connection variant.

Please ask separately, where requirements exceed the standard conditions of use listed in this data sheet.
As a matter of principle, the operating and maintenance instructions, in particular the safety instructions must be observed!
Operating and maintenance instructions as well as the approval certificates can be downloaded at www.von-scheven.de.

We reserve the right to carry out technical modifications.

Technical data HKS-C, HKS-D



Series 15-SS (fixed female – male)

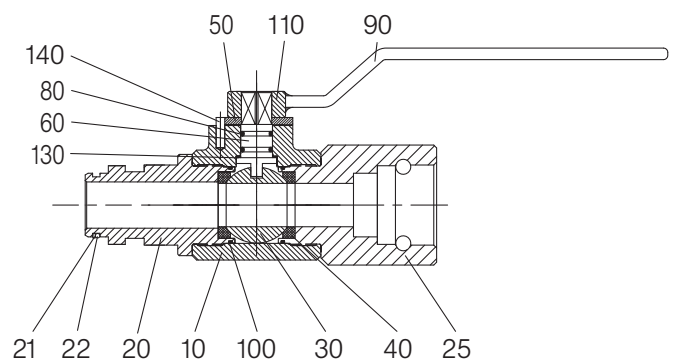
| Steck-O DN | PN bar | L mm | D mm | R mm | Hg mm | Weight kg |
|------------|--------|------|------|------|-------|-----------|
| 38 (40)-SS | 420 | 235 | Ø 76 | 300 | 117 | 6.0 |
| 51 (50)-SS | 420 | 259 | Ø 90 | 300 | 121 | 8.7 |

Series 16-SS (fixed female – fixed female)

| Steck-O DN | PN bar | L mm | D mm | R mm | Hg mm | Weight kg |
|------------|--------|------|------|------|-------|-----------|
| 38 (40)-SS | 420 | 230 | Ø 76 | 300 | 117 | 7.0 |
| 51 (50)-SS | 420 | 263 | Ø 90 | 300 | 121 | 9.7 |

Example of order: Ball valve type HKS-C made of steel with connector: Super-Steck-O DN 38 female – male (series 15) with hand lever **HKS-C 40 15-SS**

| Parts list | | HKS-C | HKS-D |
|------------|-----------------|-----------|-----------------|
| Pos. | Designation | Material* | Material* |
| 10 | Body | Steel | Stainless steel |
| 20 | Fitting | Steel | Stainless steel |
| 21 | O-ring | NBR | NBR |
| 22 | Supporting ring | POM | POM |
| 25 | Fitting | Steel | Stainless steel |
| 30 | Ball | Steel | Stainless steel |
| 40 | Seal | POM | POM |
| 50 | Stop washer | Steel | Stainless steel |
| 60 | Stem | Steel | Stainless steel |
| 80 | O-ring | NBR | NBR |
| 90 | Hand lever | Steel | Steel |
| 100 | O-ring | NBR | NBR |
| 110 | Bolt | | |
| 130 | Sliding disk | PTFE | PTFE |
| 140 | Stop pin | | |



*Standard (can vary according to nominal width), other materials on request.
Due to the design, not all items are used for all nominal widths.