

# High pressure ball valve HKS-C, SIB-C, HKS-D, SIB-D, steel

## With SSKV connector

**DN 10 - 100 PN max. 445 bar**

Also available as a stainless steel ball valve.

**Series** 37 – SSKV female – SSKV male connectors  
38 – SSKV female – SSKV male connectors

**Temperature range** Standard: -10°C to +90°C;  
On request: -50°C to +250°C

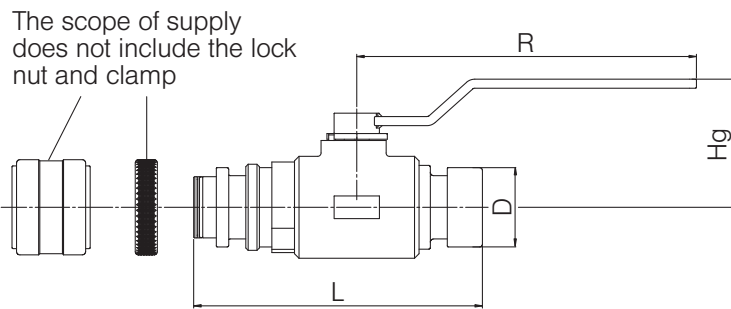
**Range of use** Liquids: Liquids group 1 and 2 according to PED 2014/68/EU Article 13  
Gases: Liquids group 1 and 2 according to PED 2014/68/EU Article 13  
As a matter of principle, the resistance to the flow medium must be ensured.

**Technical specification** The ball valves are designed with SSKV male and SSKV female with 2 screwed-in connectors in the body. The stem is fitted blowout-proof. Fast fitment in suitable HD line systems is possible by means of the SSKV female/male connection variant. With the safety locking handle (SIB type up to DN 31) option, apart from the one-sided lock in closed position, the positions can also be fixed on both sides. Also available with locking capability.

**Optional** SI handle, DN 10 – 32 type SIB



**Technical data HKS-C, SIB-C, HKS-D, SIB-D**



**Series 37** (SSKV female connector – SSKV male connector)

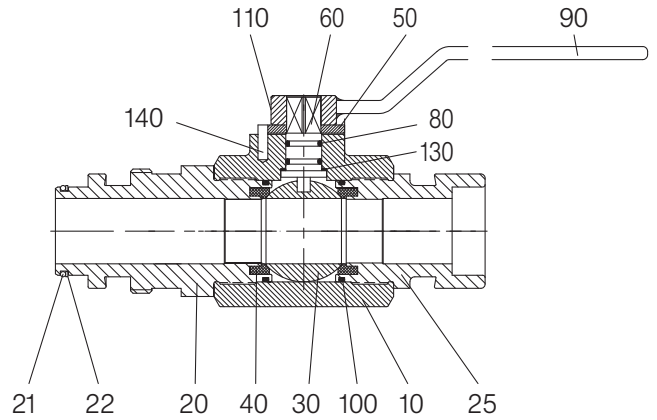
SSKV-DN	D mm	PN bar	L mm	R mm	Hg mm
10	20.0	445	117	112	77
12	22.0	275		112	77
12	24.0	415	122	112	77
19 (20)	28.0	350		130	67
19 (20)	30.0	420	148	130	67
25	33.0	320	151	130	71
25	36.0	420	160	130	71
31 (32)	39.8	210	188	160	82
31 (32)	44.0	420	199	160	82
38 (40)	53.0	185	217	300	110
38 (40)	54.0	420	222	300	110
51 (50)	65.0	175	223	300	113
51 (50)	70.0	345	255	300	113
63 (65)	84.0	350		300	
63 (65)	75.0	70		300	
80	99.3	70	337	350	182
100	118.0	64	395	350	182

**Example of order:** Ball valve type SIB-C 1037 made of steel with connector SSKV DN 12 female – male (series 37) with safety locking handle (where necessary also quote dimension D)

**SIB-C 10 37**

Parts list		HKS-C	HKS-D
Pos.	Designation	Material*	Material*
10	Body	Steel	Stainless steel
20	Fitting	Steel	Stainless steel
21	O-ring	NBR	NBR
22	Supporting ring	POM	POM
25	Fitting	Steel	Stainless steel
30	Ball	Steel	Stainless steel
40	Seal	POM	POM
50	Stop washer	Steel	Stainless steel
60	Stem	Steel	Stainless steel
80	O-ring	NBR	NBR
90	Hand lever	Steel	Steel
100	O-ring	NBR	NBR
110	Bolt		
130	Sliding disk	PTFE	PTFE
140	Stop pin		

\*Standard (can vary according to nominal width), other materials on request.

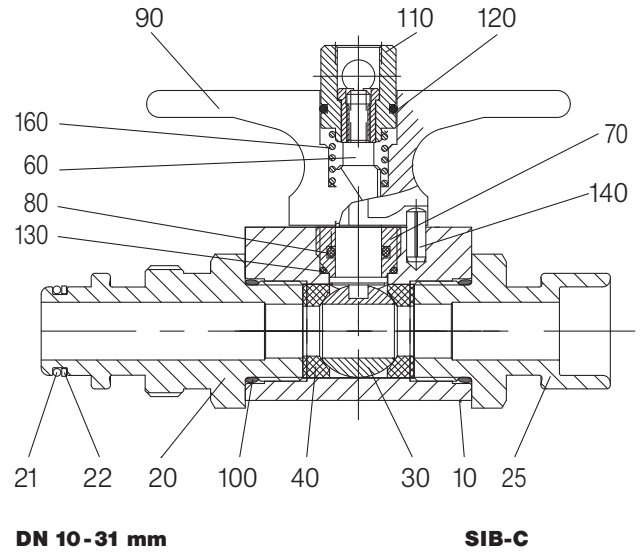


**DN 38-100 mm**

**HKS-C**

Parts list		SIB-C	SIB-D
Pos.	Designation	Material*	Material*
10	Body	Steel	Stainless steel
20	Fitting	Steel	Stainless steel
21	O-ring	NBR	NBR
22	Supporting ring	POM	POM
25	Fitting	Steel	Stainless steel
30	Ball	Steel	Stainless steel
40	Seal	POM	POM
60	Stem	Stainless steel	Stainless steel
70	Fitting	Brass	Brass
80	O-ring	NBR	NBR
90	Safety locking handle	Zinc die-casting	Zinc die-casting
100	O-ring	NBR	NBR
110	Retaining nut	Brass	Brass
120	O-ring	NBR	NBR
130	O-ring	NBR	NBR
140	Stop pin		
160	Spring	Stainless steel	Stainless steel

\*Standard (can vary according to nominal width), other materials on request.  
Due to the design, not all items are used for all nominal widths.



Please ask separately, where requirements exceed the standard conditions of use listed in this data sheet.  
As a matter of principle, the operating and maintenance instructions, in particular the safety instructions must be observed!  
Operating and maintenance instructions as well as the approval certificates can be downloaded at [www.von-scheven.de](http://www.von-scheven.de).

We reserve the right to carry out technical modifications.