

## 3-way changeover ball valve DBS-C, DBS-D, steel With Steck-O female

**DN 10 - 31 (32) PN bis 500 bar**

Also available as a stainless steel ball valve.

**Series** 16 – all-round female connector DIN 20043

**Temperature range** Standard: -10°C to +90°C  
On request: -50°C to +230°C

**Range of use** Liquids: Liquids group 1 and 2 according to PED 2014/68/EU Article 13  
Gases: Liquids group 1 and 2 according to PED 2014/68/EU Article 13  
As a matter of principle, the resistance to the flow medium must be ensured.

**Technical specification** The DBS-C and DBS-D type ball valves consist of a block body with connector screwed in on both sides. The stem is fitted blowout-proof. Actuators can be attached by means of an extension kit. This retrofit requirement must be specified when placing the order (additional charge).

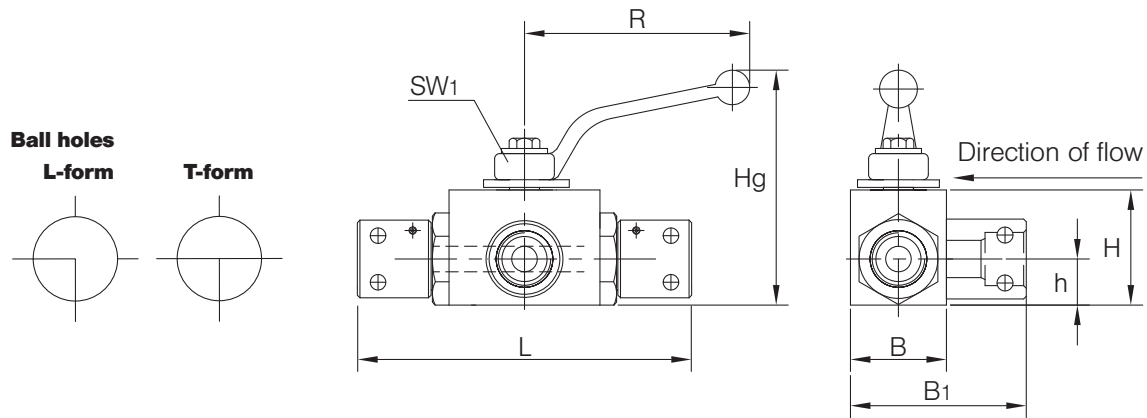
Please ask separately, where requirements exceed the standard conditions of use listed in this data sheet.

As a matter of principle, the operating and maintenance instructions, in particular the safety instructions must be observed!

Operating and maintenance instructions as well as the approval certificates can be downloaded at [www.von-scheven.de](http://www.von-scheven.de).

We reserve the right to carry out technical modifications.

**Technical data DBS-C, DBS-D**



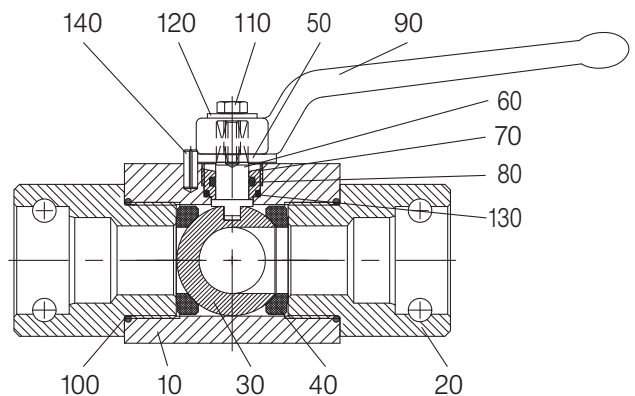
**Series 16** (all-round female connector DIN 20043)

Steck-O DN	PN bar	L mm	B* mm	B1* mm	H mm	h mm	Hg mm	R mm	SW1 mm	Weight kg
10	500	143	35	56	40	15	92	112	10	0.6
12	500	136	35	65	45	18	85	130	10	0.9
19 (20)	450	130	45	70	55	24	95	130	10	1.4
25	400	159	55	161	65	30	111	160	10	2.4
31 (32)	300	160	55	110	65	30	111	160	10	2.6

\*Deviating dimensions in stainless steel.

**Example of order:** DBS-C type ball valve made of steel, with all-round female connector DN 10 with L-bore (please state ball hole form) **DBS-C 10 16-L**

Parts list		DBS-C	DBS-D
Pos.	Designation	Material*	Material*
10	Body	Steel	Stainless steel
20	Fitting	Steel	Stainless steel
30	Ball	Steel	Stainless steel
40	Seal	POM	POM
50	Stop washer		
60	Stem	Steel	Stainless steel
70	Fitting	Brass	
80	O-ring	NBR	NBR
90	Hand lever	Zinc die-casting	Zinc die-casting
100	O-ring	NBR	NBR
110	Bolt		
120	Washer		
130	O-ring	NBR	NBR
140	Stop pin		



\*Standard (can vary according to nominal width), other materials on request.  
Due to the design, not all items are used for all nominal widths.