



Preloaded non-return valve VRSV-C, VRSV-D, steel With Steck-O

DN 10 - 51 (50) PN bis 500 bar
Opening pressure: about 1 bar

Also available in stainless steel.

Temperature range Standard: -10°C to +90°C
On request: -50°C to +230°C

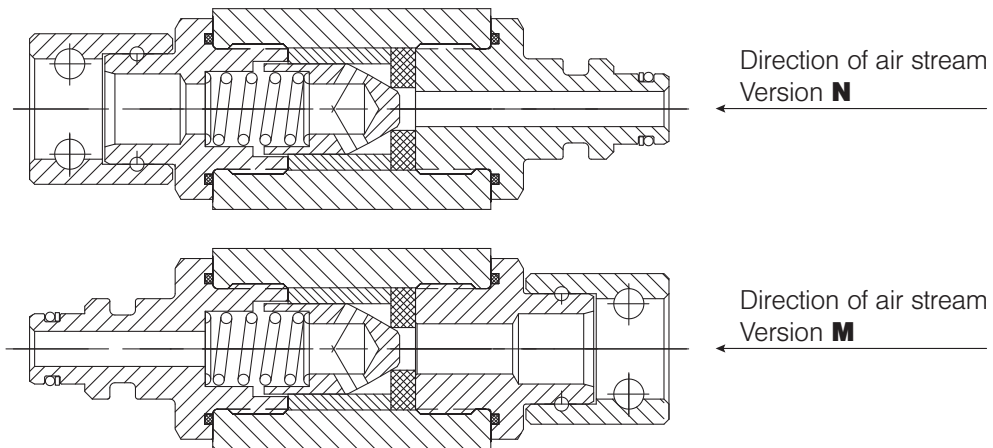
Range of use Liquids: Liquids group 1 and 2 according to PED 2014/68/EU Article 13
Gases: Liquids group 1 and 2 according to PED 2014/68/EU Article 13
As a matter of principle, the resistance to the flow medium must be ensured.

Technical specification VRSV-C and VRSV-D preloaded non-return valves consist of a steel body with fittings screwed in on both sides. The valve stem of brass is sealed by a stainless steel spring on a POM gasket. The direction of flow is evident from the direction sign on the outside.

Please ask separately, where requirements exceed the standard conditions of use listed in this data sheet.
As a matter of principle, the operating and maintenance instructions, in particular the safety instructions must be observed!
Operating and maintenance instructions as well as the approval certificates can be downloaded at www.von-scheven.de.

We reserve the right to carry out technical modifications.

Technical data VRSV-C, VRSV-D



Steck-O DN	PN bar	Input	Output	Face-to-face length mm	Order No.
10	500	Female connector DN 10	Male connector DN 10	127	1015 M
10	500	Male connector DN 10	Female connector DN 10	127	1015 N
10	500	Female connector DN 10	Female connector DN 10	126	1016
12	500	Female connector DN 12	Male connector DN 12	127	1215 M
12	500	Male connector DN 12	Female connector DN 12	127	1215 N
12	500	Female connector DN 12	Female connector DN 12	126	1216
19 (20)	450	Female connector DN 19	Male connector DN 19	153	2015 M
19 (20)	450	Male connector DN 19	Female connector DN 19	153	2015 N
19 (20)	450	Female connector DN 19	Female connector DN 19	155	2016
25	400	Female connector DN 25	Male connector DN 25	196	2515 M
25	400	Male connector DN 25	Female connector DN 25	196	2515 N
25	400	Female connector DN 25	Female connector DN 25	194	2516
31 (32)	300	Female connector DN 31	Male connector DN 31	198	3215 M
31 (32)	300	Male connector DN 31	Female connector DN 31	198	3215 N
31 (32)	300	Female connector DN 31	Female connector DN 31	197	3216
38 (40)	145	Female connector DN 38	Male connector DN 38	226	4015 M
38 (40)	145	Male connector DN 38	Female connector DN 38	226	4015 N
38 (40)	145	Female connector DN 38	Female connector DN 38	226	4016
51 (50)	130	Female connector DN 51	Male connector DN 51	259	5015 M
51 (50)	130	Male connector DN 51	Female connector DN 51	259	5015 N
51 (50)	130	Female connector DN 51	Female connector DN 51	259	5016

Parts list

Pos.	Designation	VRSV-C	VRSV-D
		Material*	Material*
10	Valve housing	Steel	Stainless steel
20	Fitting	Steel	Stainless steel
21	O-ring	NBR	NBR
22	Supporting ring	POM	POM
30	Fitting	Steel	Stainless steel
40	Taper coupling	Brass	Brass
50	Spring	Stainless steel	Stainless steel
60	Seal	POM	POM
80	O-ring	NBR	NBR
90	Spacer sleeve	Brass	Brass

*Standard (can vary according to nominal width), other materials on request.
 Up to DN 20, the Steck-O female connectors are swivel design, above they are fixed.
 With different connections, the required direction of flow must be stated.
 Due to the design, not all items are used for all nominal widths.

