



Compressed air lubricator OHI, OVI, steel With female thread

DN 10 - 50 mm max. PN 10

Range of use For the fully automated lubrication of the internal components of compressed air actuated machines and devices by means of oil.

Approvals For horizontal installation: OHI
For vertical installation: OVI

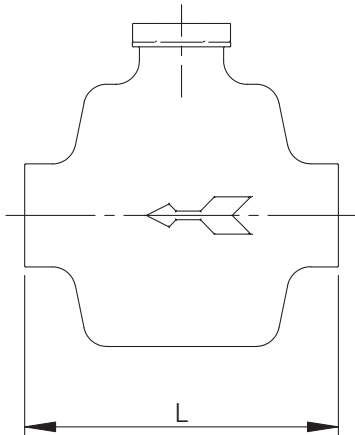
Please ask separately, where requirements exceed the standard conditions of use listed in this data sheet.

As a matter of principle, the operating and maintenance instructions, in particular the safety instructions must be observed!

Operating and maintenance instructions as well as the approval certificates can be downloaded at www.von-scheven.de.

We reserve the right to carry out technical modifications.

Technical data OHI, OVI (oiler)



Series 06 (pipe female thread DIN ISO 228-1)

DN mm	Connection	L mm	Content in cm ³
10	G 3/8"	100	210
15	G 1/2"	120	320
20	G 3/4"	120	300
25	G 1"	120	420
32	G 1 1/4"	140	1000
40	G 1 1/2"	140	900
50	G 2"	140	800